



Features

- Maximum height of 2.00 mm
- Current up to 3.6 A
- RoHS compliant*

Applications

- Input/output of DC/DC converters
- Power supplies for:
 - Portable communication equipment
 - Camcorders
 - LCD TVs
 - Car radios

SRU6018 Series - Shielded SMD Power Inductors

Electrical Specifications

Bourns Part No.	Inductance 100 KHz		Q Ref.	Test Frequency (MHz)	SRF Typ. (MHz)	RDC Max. (mΩ)	I rms Max. (A)	I sat Typ. (A)
	(μH)	Tol. %						
SRU6018-1R2Y	1.2	± 30	8	7.96	130	25	3.60	2.80
SRU6018-1R8Y	1.8	± 30	8	7.96	90	28	3.00	2.30
SRU6018-3R3Y	3.3	± 30	8	7.96	60	36	2.50	1.70
SRU6018-4R7Y	4.7	± 30	8	7.96	50	42	2.20	1.40
SRU6018-6R8Y	6.8	± 30	8	7.96	40	60	1.90	1.20
SRU6018-100Y	10	± 30	12	2.52	30	88	1.70	1.00
SRU6018-150Y	15	± 30	12	2.52	24	130	1.50	0.80
SRU6018-220Y	22	± 30	14	2.52	18	190	1.20	0.65
SRU6018-330Y	33	± 30	10	2.52	16	255	1.00	0.58
SRU6018-470Y	47	± 30	12	2.52	14	410	0.80	0.46
SRU6018-680Y	68	± 30	12	2.52	12	600	0.62	0.36
SRU6018-101Y	100	± 30	20	2.52	9	715	0.5	0.34

General Specifications

Test Voltage0.1 V
 Reflow Soldering ...230 °C, 50 sec. max.
 Operating Temperature ..-40 °C to +125 °C
 (Temperature rise included)
 Storage Temperature..-40 °C to +125 °C
 Resistance to Soldering Heat
260 °C for 10 sec.

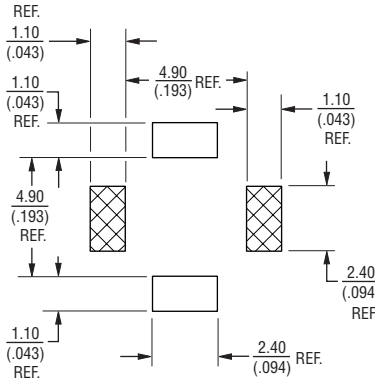
Materials

Core.....Ferrite DR and RI core
 WireEnameled copper
 TerminalAg/Ni/Sn
 Rated Current
Ind. drop 35 % typ. at Isat
 Temperature Rise
30 °C max. at rated I rms
 Packaging.....800 pcs. per reel

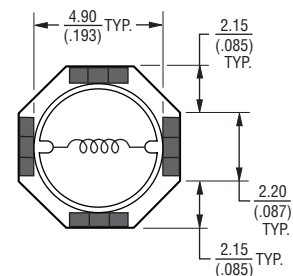
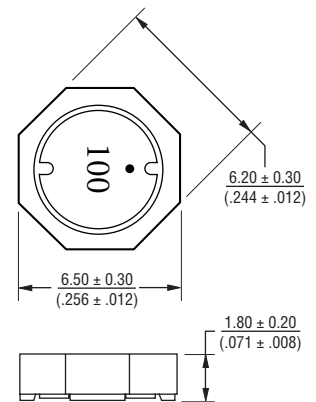
Electrical Schematic



Recommended Layout



Product Dimensions



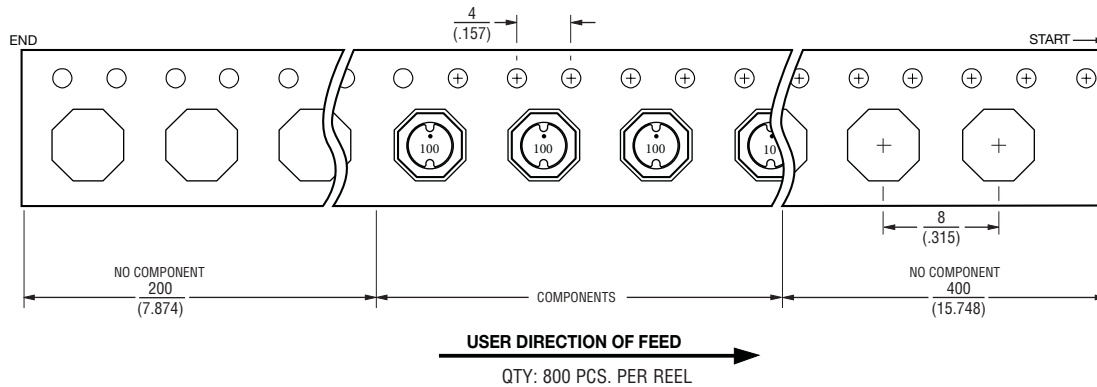
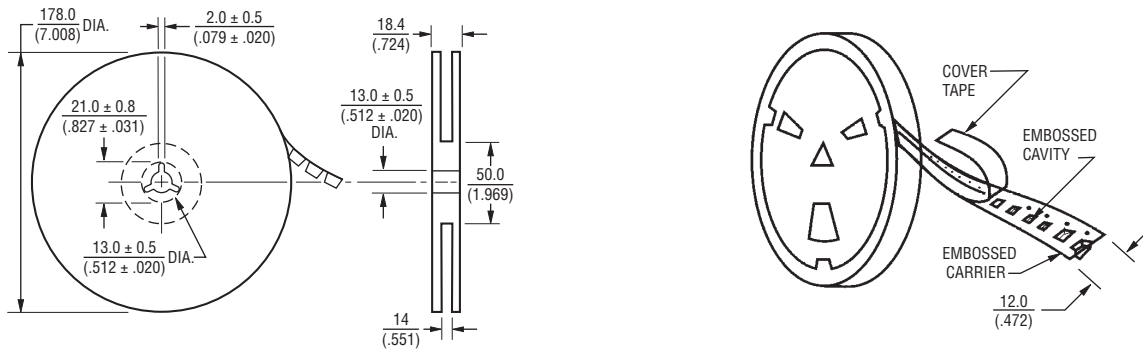
DIMENSIONS: $\frac{\text{MM}}{\text{(INCHES)}}$

*RoHS Directive 2002/95/EC Jan 27, 2003 including Annex.
 Specifications are subject to change without notice.
 Customers should verify actual device performance in their specific applications.

SRU6018 Series - Shielded SMD Power Inductors

BOURNS®

Packaging Specifications



DIMENSIONS: $\frac{\text{MM}}{\text{(INCHES)}}$