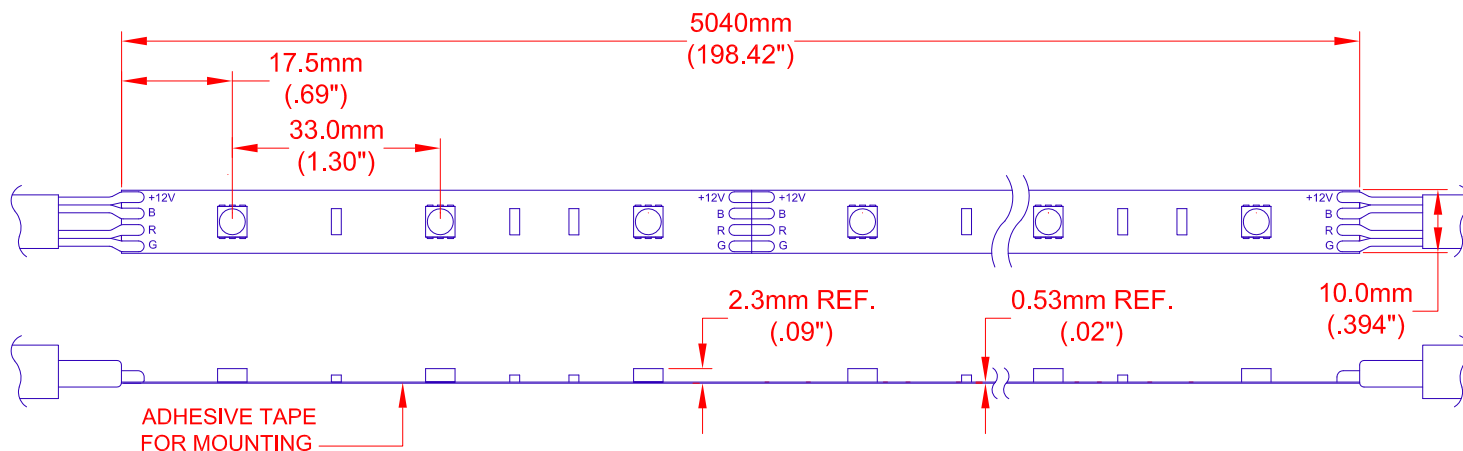


FEATURES

10mm X 5040mm RGB LIGHT RIBBON

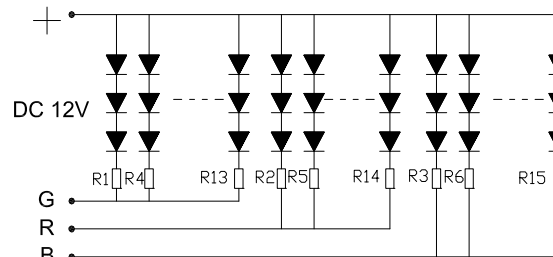
VOLTAGE: 12V DC
 CURRENT: 3A
 LED VIEWING ANGLE (2 θ 1/2): 100°

STANDARD PACKAGING:
 5 METER REEL (150 LED'S)
 OPTIONAL PACKAGING:
 INDIVIDUAL 504mm SECTIONS (15 LED'S)
 ORDER AS ZFS-10504-RGB/SEC
 Note: Individual Sections ARE NOT supplied with insulated wire connections.



Electrical/Optical Characteristics at TA = 25°C

Parameter	Symbol	Color	Condition	Min	Typ	Max	Unit
Forward Voltage DC	VF	RGB	IF = 3A	--	12	--	V
Dominant Wavelength	λD	R	IF = 1A	621	624	--	nm
		G	IF = 1A	515	518	--	
		B	IF = 1A	469	471	--	
Luminous Flux	φV	R	IF = 1A	--	95	--	lm
		G	IF = 1A	--	330	--	
		B	IF = 1A	--	95	--	
Recommend Forward Current	IF(rec)	--	--	--	3	--	A



ATTENTION



OBSERVE PRECAUTION FOR HANDLING ELECTROSTATIC DISCHARGE SENSITIVE DEVICES

Absolute Maximum Rating at TA = 25°C

Parameter	Symbol	Absolute Maximum Rating	Unit
Forward Current	IF	3	A
Power Dissipation	PD	36	W
Electrostatic Discharge	ESD	400	V
Operating Temperature	Topr	-25~+60	°C
Storage Temperature	Tstg	-40~+80	°C

JKL PART NO.: ZFS-10504-RGB

E CHNG. RATING UNIT CURRENT TO A (amps) 1/23/13 D CHNG. WIRE COLOR CALLOUTS LOCATION 9/18/12 C CHNG. PART LINE DRAWING & PHOTO 3/27/12 B CHNG. FEATURES/ DRW TO 5 METER REEL 2/16/11 A CHANGE 2.00±0.05 TO 2.0 REF. 5/28/09 RELEASE & CANCEL PL-0802-06 5/12/09	METRIC THIRD ANGLE PROJECTION DRAWN BY L. WENGSTROM APPV'D BY L.R. DATE 1/23/13	DIMENSIONS ARE IN mm (INCHES) TOLERANCE UNLESS OTHERWISE SPECIFIED 1 PL +/- REF. 2 PL +/- REF. ANGLE +/-	JKL COMPONENTS CORPORATION			
			TITLE RGB LED FLEX STRIP			
SIZE A		FSCM NO. 55335	DRAWING NO. ZFS-10504-RGB		REV. NO. E SHEET 1 OF 1	
SCALE NONE		RELEASED DATE 5/12/09	REVISION DATE 1/23/13			
- CAD DRAWING - MANUAL REVISIONS NOT PERMITTED						