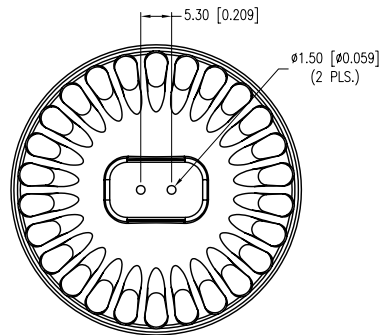
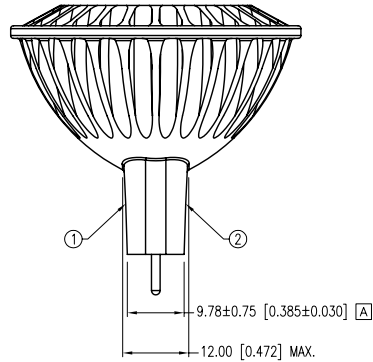
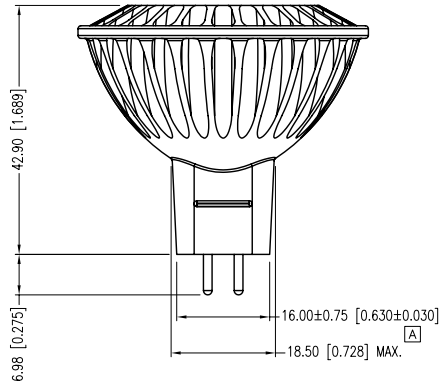
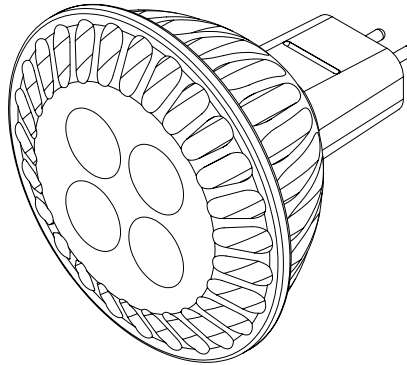
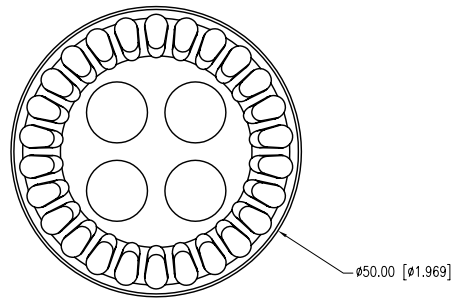


PART NUMBER	SSP-M16MW012C05	REV.	A
DATE	E.C.N. NUMBER AND REVISION COMMENTS		REV.
02.29.12	E.C.N. #11802.		A



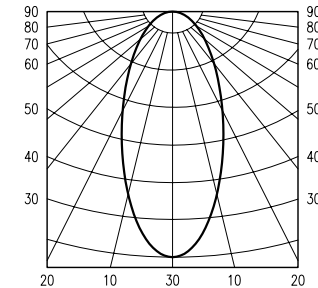
A ELECTRO-OPTICAL CHARACTERISTICS $T_a=25^{\circ}\text{C}$ $V_f=12\text{V AC/DC}$

PARAMETER	MIN	TYP	MAX	UNITS
INPUT VOLTAGE		12		V AC/DC
ENERGY USED		5		W
TOTAL LUMENS		315		LUMENS
BEAM ANGLE		24		2x theta
COLOR TEMPERATURE		3000		°K
COLOR RENDERING INDEX (CRI)	80			
OPERATING TEMPERATURE	-20		40	°C
LIFE HOURS		25000		HRS
EMITTED COLOR:	WARM WHITE			
LENS FINISH:	WATER CLEAR			

NOTES:

- SSP-M16MW012C05
GU5.3 12V AC/DC
5W 3000K 24°
MADE IN TAIWAN
- (MEANS NON-DIMMABLE)

INTENSITY DISTRIBUTION



*UNLESS OTHERWISE SPECIFIED TOLERANCES PER DECIMAL PRECISION ARE: X=±1 (±0.039), X.X=±0.5 (±0.020), X.XX=±0.25 (±0.010), X.XXX=±0.127 (±0.005). LEAD SIZE=±0.05 (±0.002), LEAD LENGTH=±0.75 (±0.030). MIN= ^{+DECIMAL} PRECISION MAX= ^{-0.00} PRECISION



290 E. HELEN ROAD
PALATINE, IL 60067-6976
PHONE: +1.847.359.2790
FAX: +1.847.359.6538
WEB: WWW.LUMEX.COM

LED MR16, 3000K, 12V, AC/DC, 24°, 5W CRI>80.

THE SPECIFICATIONS MAY CHANGE AT ANY TIME WITHOUT NOTICE DUE TO NEW MATERIALS OR PRODUCT IMPROVEMENT.

CONFIDENTIAL INFORMATION
THE INFORMATION CONTAINED IN THIS DOCUMENT IS THE PROPERTY OF LUMEX INC. EXCEPT AS SPECIFICALLY AUTHORIZED IN WRITING BY LUMEX INC., THE HOLDER OF THIS DOCUMENT SHALL KEEP ALL INFORMATION CONTAINED HEREIN CONFIDENTIAL AND SHALL PROTECT SAME IN WHOLE OR IN PART FROM DISCLOSURE AND DISSEMINATION TO ALL THIRD PARTIES.

DATE:	12.02.11	DRAWN BY:	AB
PAGE:	1 OF 2	CHKD BY:	KF
SCALE:	NTS	APRVD BY:	KF
UNIT:	mm [INCH]		