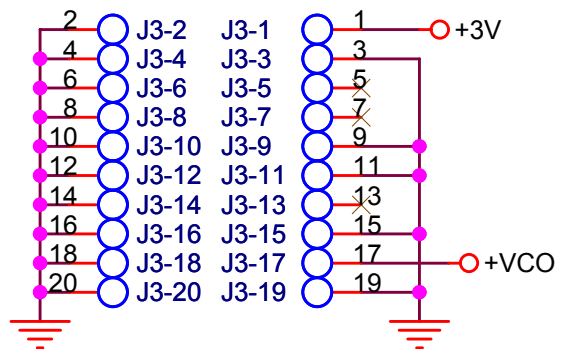
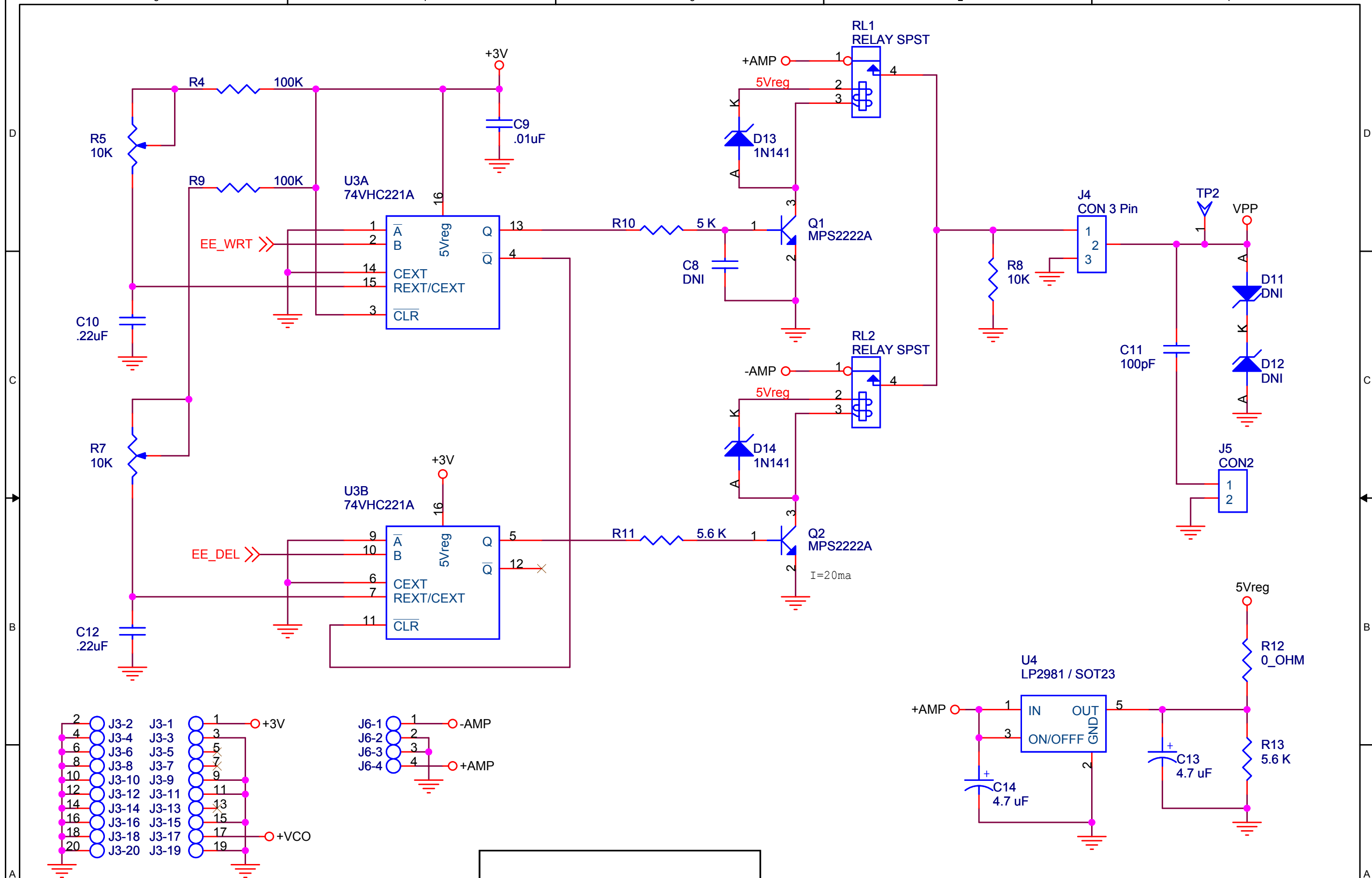


NOTES:
 1. USE 101/D121 ~ 03A PCB.
 2. CAUTION:
 CONTAINS PARTS AND ASSEMBLIES SUSCEPTIBLE
 TO DAMAGE BY ELECTROSTATIC DISCHARGE (ESD)

UNLESS OTHERWISE SPECIFIED DIMENSIONS AND TOLERANCES ARE IN INCHES AND APPLY TO THE FINISHED PART TOLERANCES ARE: FRACTIONS DECIMALS ± .XX ± .01 ± .XXX ± .005 DO NOT SCALE DRAWING	
MATERIAL	
FINISH	
SIMILAR TO	MARKING SYMBOL

CONTRACT NO.	
DRAWN R.Marroquin	DATE 1/27/05
ENGINEER	DATE
CHECKED	DATE
APPROVED	DATE
ISSUED	DATE

		9450 Carroll Park Drive, Suite 100 San Diego, CA 92121	
<h2>PE3341/2 Programmer Schematic</h2>			
SIZE C	CAGE CODE	DWG NO. 102/0159	Rev 03A
SCALE: NONE	DATE Friday, January 28, 2005	Sheet 1 of 2	



Thursday, January 27, 2005

Size	CAGE Code	DWG NO	Rev
A	<Cage Code>	102/0159	03A
Scale	Sheet		
	2 of 2		

Peregrine Semiconductor Corporation
PE3341/2 Programmer Schematic Revised: Wednesday, July 16, 2003
Bill Of Materials

Item	Quantity	Reference	Value	Part Description	Notes
1	2	CA1,CA2	100pF	SMC 3-Terminal Cap Array	
2	1	C1	3.3uF	AVX Chip Cap 0603	
3	3	C2,C3,C4	100pF	AVX Chip Cap 0603	
4	1	C5	.01uF	AVX Chip Cap 0805	
5	2	C6,C7	22pF	AVX Chip Cap 0603	
6	1	C8	DNI	AVX Chip Cap 0603	
7	1	C9	.01uF	AVX Chip Cap 0603	
8	2	C10,C12	.22uF	SMD Capacitor 0603	
9	1	C11	100pF	SMD Capacitor 0603	
10	2	C13,C14	4.7 uF	Tant Cap 2513	
11	8	D1,D2,D3,D4,D5,D6,D7,D8	2.7V	Panasonic Zener Diode	
12	2	D11,D12	DNI	Panasonic Zener Diode	DO NOT INSTALL
13	2	D14,D13	1N141	Panasonic Zener Diode	
14	2	J1,J7	CONRA-10P-100X-EEProg		
15	1	J2	CON2	2 Pin Header	
16	1	J3	HDR2X10	20 Pin Header, .100	
17	1	J4	CON 3 Pin	3 Pin Header	
18	1	J5	CON2		Short pins together with wire
19	1	J6	HDR2X7	4 Pin Header, .100	
20	7	TP1,MTG1,TP2,MTG2,TP3, MTG3,MTG4	T POINT A	Test Point	
21	2	Q2,Q1	MPS2222A		
22	2	RL1,RL2	RELAY SPST	Relay	
23	2	R1,R2	220	16 Pin SMD R-Pack	
24	1	R3	10K	16 Pin SMD R-Pack	
25	2	R9,R4	100K	SMD Resistor 0603	
26	2	R5,R7	10K		
27	1	R8	10K	SMD Resistor 0603	
28	1	R10	5 K	SMD Resistor 0603	
29	1	R11	5.6 K	SMD Resistor 0603	
30	1	R12	0_OHM	SMD Resistor 0603	
31	1	R13	5.6 K	SMD Resistor 1206	
32	1	SW1	DIG-8		

33	1	U1	TSSOP-24		
34	1	U2	QFNSKT 20QN50T14040		Install U2 or U3
35	1	U3	74VHC221A		
36	1	U4	LP2981 / SOT23	5 V regulator	
37	1	101/0121~03A		PE3341-2 EE Programming Applications	

102/0159

Revision: 03A