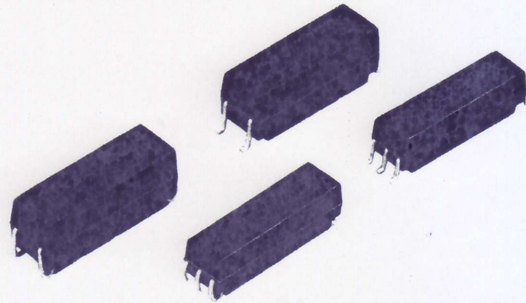


SERIES 70

SURFACE MOUNT

REED RELAYS SERIES 70

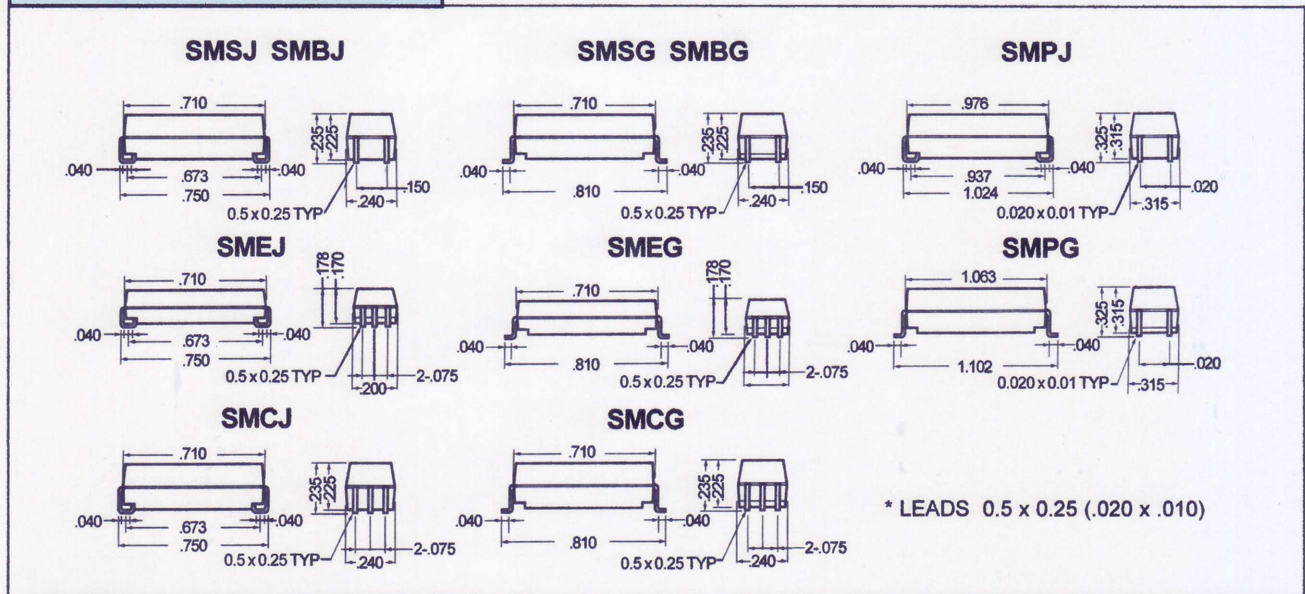
TRUE **SMT** PROCESS COMPATIBILITY
 ULTRA MINIATURE SIZE
 SENSITIVE COIL
 COAXIAL E.S. SHIELD FOR RF



CONTACT RATINGS (RESISTIVE LOADS)

SERIES			
PARAMETERS	SMS, SME & SMB	SMC	SMP
VOLTAGE (MAX.SWITCHING)	150 VDC	100 VDC	200 VDC
CURRENT (MAX.SWITCHING)	.5 AMPS	.25 AMPS	1.0 AMPS
POWER (MAX.SWITCHING)	10 WATTS	3.0 WATTS	50 WATTS
CURRENT (MAX.CARRY)	1 AMP	.5 AMPS	2.0 AMPS
CONTACT RESISTANCE (INITIAL)	.2 OHMS	.2 OHMS	.2 OHMS
OPERATE TIME (MAX) (INCLUDING BOUNCE)	1.0 MS	2.0 MS	.5 MS
RELEASE TIME (MAX)	.5 MS	2.5 MS	.5 MS
TEMPERATURE	-55°C TO +85°C	-55°C TO +85°C	-55°C TO +85°C
BREAKDOWN VOLTAGE OPEN CONTACTS	200 VDC	200 VDC	250 VDC
CONTACT TO COIL	500 VDC	500 VDC	1500 VDC
INSULATION RESISTANCE OPEN CONTACTS	10 ¹⁰ OHMS	10 ⁹ OHMS	10 ¹⁰ OHMS
CONTACT TO COIL	10 ¹⁰ OHMS	10 ⁹ OHMS	10 ¹⁰ OHMS
ELECTRICAL LIFE:			
LOW LEVEL 10mVDC, 10UA	3X10 ⁸	10 ⁸	10 ⁷
LOW LEVEL 10VDC, 4MA			
RATED LOAD 20VDC, 0.5A	5		
RATED LOAD 12VDC, 0.25A		2X10 ⁶	
RATED LOAD 100VDC, 0.5A			10 ⁶

DIMENSIONS UNIT: MM (INCH)



EXTENSIVE CATALOG INFORMATION ON THE INTERNET
WWW.USRELAYS.COM



FOR YOUR CONVENIENCE JUST CHARGE IT!

USRELAYS AND TECHNOLOGY, INC.
 13851 ROSWELL AVENUE UNITS F/G CHINO, CALIF. 91710 U.S.A.

TEL (909) 902-5112
 FAX (909) 902-5122
WWW.USRELAYS.COM