

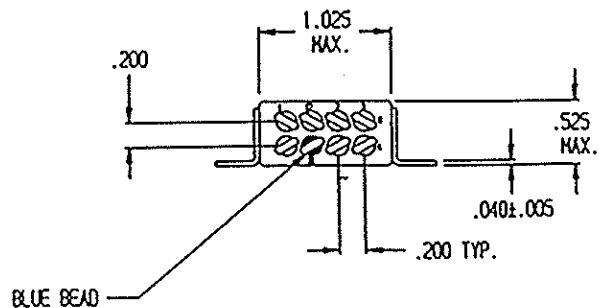
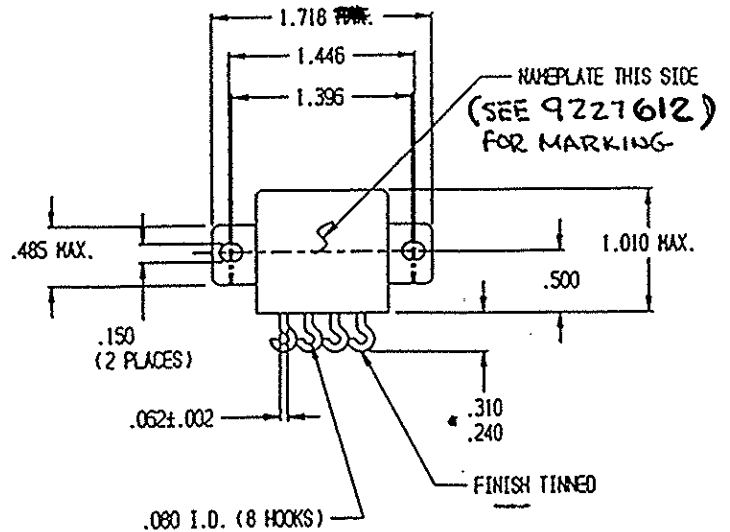
MSD INC.

ENGINEERING DATA SHEET

RELAY TYPE: FCA-210-0917M	COMPUTER PART No.: 9227612	TEST PROCEDURE MSDP-790
CUSTOMER/SPEC M83536/9-017M	REV N/A	

TEST REQUIREMENTS

COIL RES.: $\pm 10\%$ **80 OHMS** OPERATE TIME: **10mS MAX** RELEASE TIME: **10mS MAX**
 CONTACT MAKE BOUNCE: **1mS MAX** N.O. BREAK BOUNCE: **N/A**
 CONTACT STABILIZATION TIME: **2.5.mS MAX** RATED COIL VOLTAGE: **12 Vdc**
 CONTACT RES.: MFG TEST: **8 Milliohms @ 10 mA** FINAL TEST: **10 Milliohms @ 10 mA**
 CONTACT VOLTAGE DROP: FINAL TEST: **100 mV @ 10A - 6 Vdc**
 HI-POT: **1250 Vrms ALL POINTS, EXCEPT 1000 Vrms COIL TO CASE**
 INSULATION RESISTANCE: **100 MEGOHMS MIN @ 500 Vdc**
 VIBRATION: **MIL-STD-202, METHOD 204 (30 G'S. / 100-3000 Hz)**
 SEAL TEST: **1×10^{-8} MAX LEAK RATE** COIL TRANSIENT SUPPRESSION: **N/A**
 OTHER: _____



Prepared By: Date		Approved By: Date	
LES WYNNE 5-23-96			
Rev	ECN No.	Date	
A	96-065	5-23-96	

SPECIAL INSTRUCTIONS