

**Automotive Relay
Users Guide**

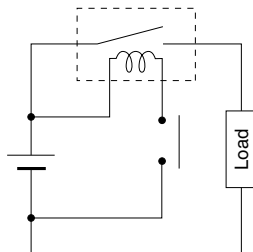
CAUTIONS FOR USE OF AUTOMOTIVE RELAYS

Please use the check sheet.

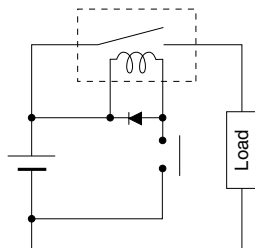
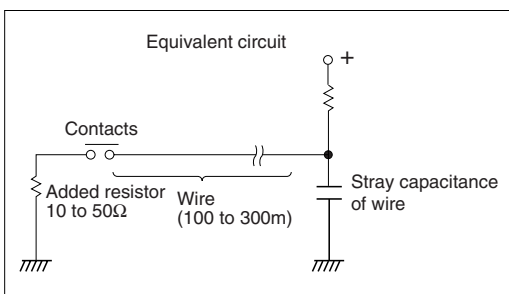
Category	Section	Contents																																																		
1. Confirmation under the actual use condition	1. Confirmation under the actual use	The rated switching power and life mentioned in the specification and catalog are given only as guides. A relay may encounter a variety of ambient conditions during actual use resulting in unexpected failure. Therefore, it is necessary for proper use of the relay to test and review with actual load and actual application under actual operating conditions.																																																		
2. Safety precautions	1. Specification range	Use that exceeds the specification ranges such as the coil rating, contact rating and switching life should be absolutely avoided. Doing so may lead to abnormal heating, smoke, and fire.																																																		
	2. Installation, maintenance	Never touch live parts when power is applied to the relay. Doing so may cause electrical shock. When installing, maintaining, or troubleshooting a relay (including connecting parts such as terminals and sockets), be sure that the power is turned off.																																																		
	3. Connection	When connecting terminals, please follow the internal connection diagrams in the catalog to ensure that connections are done correctly. Be warned that an incorrect connection may lead to unexpected operation error, abnormal heating, and fire.																																																		
	4. Fail-safe	If there is a possibility that adhesion, contact failure, or breaking of wire could endanger assets or human life, please make sure that a fail-safe system is equipped in the vehicle.																																																		
3. Selection of relay type	1. Selection	In order to use the relays properly, the characteristics of the selected relay should be well known, and the conditions of use of the relay should be investigated to determine whether they are matched to the environmental conditions, and at the same time, the coil specification, contact specification, and the ambient conditions for the relay that is actually used must be fully understood in advance. In the table below, please refer to a summary of the consideration points regarding selection of relay.																																																		
		<table border="1"> <thead> <tr> <th>Items</th> <th>Consideration points regarding selection</th> </tr> </thead> <tbody> <tr> <td> <table border="1"> <thead> <tr> <th>Coil</th> <th>Items</th> </tr> </thead> <tbody> <tr> <td rowspan="6"></td> <td>a) Rating</td> </tr> <tr> <td>b) Pull-in voltage (current)</td> </tr> <tr> <td>c) Drop-out voltage (current)</td> </tr> <tr> <td>d) Maximum continuous impressed voltage (current)</td> </tr> <tr> <td>e) Coil resistance</td> </tr> <tr> <td>f) Temperature rise</td> </tr> </tbody> </table> </td> <td> <ul style="list-style-type: none"> - Select relay with consideration for power source ripple. - Give sufficient consideration to ambient temperature and for the coil temperature rise, and hot start. - When used in conjunction with semiconductors, careful with the voltage drop. - When starting up, careful with the voltage drop. </td> </tr> <tr> <td> <table border="1"> <thead> <tr> <th>Contact</th> <th>Items</th> </tr> </thead> <tbody> <tr> <td rowspan="5"></td> <td>a) Contact arrangement</td> </tr> <tr> <td>b) Contact rating</td> </tr> <tr> <td>c) Contact material</td> </tr> <tr> <td>d) Life</td> </tr> <tr> <td>e) Contact resistance</td> </tr> </tbody> </table> </td> <td> <ul style="list-style-type: none"> - Note that the relay life is balanced with the life of the device the relay is used in. - Is the contact material matched to the type of load? It is necessary to take care particularly with low level usage. - The rated life may become reduced when used at high temperatures. Life should be verified in the actual use atmosphere. - It is necessary to be tested and reviewed under actual use conditions with actual load and actual application. </td> </tr> <tr> <td> <table border="1"> <thead> <tr> <th>Operate time</th> <th>Items</th> </tr> </thead> <tbody> <tr> <td rowspan="4"></td> <td>a) Operate time</td> </tr> <tr> <td>b) Release time</td> </tr> <tr> <td>c) Bounce time</td> </tr> <tr> <td>d) Switching frequency</td> </tr> </tbody> </table> </td> <td> <ul style="list-style-type: none"> - Note that ambient temperature and applied voltage cause the change of operate time and bounce time. - Note that operate time and release time do not include bounce time. - Give consideration that switching life changes depending on switching frequency. </td> </tr> <tr> <td> <table border="1"> <thead> <tr> <th>Mechanical characteristics</th> <th>Items</th> </tr> </thead> <tbody> <tr> <td rowspan="4"></td> <td>a) Vibration resistance</td> </tr> <tr> <td>b) Shock resistance</td> </tr> <tr> <td>c) Ambient use temperature</td> </tr> <tr> <td>d) Life</td> </tr> </tbody> </table> </td> <td> <ul style="list-style-type: none"> - Give consideration to performance under vibration and shock in the use location. - Confirm the allowable ambient temperature of the relay. </td> </tr> <tr> <td> <table border="1"> <thead> <tr> <th>Other items</th> <th>Items</th> </tr> </thead> <tbody> <tr> <td rowspan="4"></td> <td>a) Breakdown voltage</td> </tr> <tr> <td>b) Mounting, Connection</td> </tr> <tr> <td>c) Size</td> </tr> <tr> <td>d) Protection construction</td> </tr> </tbody> </table> </td> <td> <ul style="list-style-type: none"> - Selection can be made for connection method with plug-in type, printed circuit board type, soldering, and screw fastening type. - Selection of protection construction can be made for PCB mounting method such as soldering and cleaning. - For use in an adverse atmosphere, sealed construction type should be selected. - Are there any special conditions? </td> </tr> </tbody> </table>	Items	Consideration points regarding selection	<table border="1"> <thead> <tr> <th>Coil</th> <th>Items</th> </tr> </thead> <tbody> <tr> <td rowspan="6"></td> <td>a) Rating</td> </tr> <tr> <td>b) Pull-in voltage (current)</td> </tr> <tr> <td>c) Drop-out voltage (current)</td> </tr> <tr> <td>d) Maximum continuous impressed voltage (current)</td> </tr> <tr> <td>e) Coil resistance</td> </tr> <tr> <td>f) Temperature rise</td> </tr> </tbody> </table>	Coil	Items		a) Rating	b) Pull-in voltage (current)	c) Drop-out voltage (current)	d) Maximum continuous impressed voltage (current)	e) Coil resistance	f) Temperature rise	<ul style="list-style-type: none"> - Select relay with consideration for power source ripple. - Give sufficient consideration to ambient temperature and for the coil temperature rise, and hot start. - When used in conjunction with semiconductors, careful with the voltage drop. - When starting up, careful with the voltage drop. 	<table border="1"> <thead> <tr> <th>Contact</th> <th>Items</th> </tr> </thead> <tbody> <tr> <td rowspan="5"></td> <td>a) Contact arrangement</td> </tr> <tr> <td>b) Contact rating</td> </tr> <tr> <td>c) Contact material</td> </tr> <tr> <td>d) Life</td> </tr> <tr> <td>e) Contact resistance</td> </tr> </tbody> </table>	Contact	Items		a) Contact arrangement	b) Contact rating	c) Contact material	d) Life	e) Contact resistance	<ul style="list-style-type: none"> - Note that the relay life is balanced with the life of the device the relay is used in. - Is the contact material matched to the type of load? It is necessary to take care particularly with low level usage. - The rated life may become reduced when used at high temperatures. Life should be verified in the actual use atmosphere. - It is necessary to be tested and reviewed under actual use conditions with actual load and actual application. 	<table border="1"> <thead> <tr> <th>Operate time</th> <th>Items</th> </tr> </thead> <tbody> <tr> <td rowspan="4"></td> <td>a) Operate time</td> </tr> <tr> <td>b) Release time</td> </tr> <tr> <td>c) Bounce time</td> </tr> <tr> <td>d) Switching frequency</td> </tr> </tbody> </table>	Operate time	Items		a) Operate time	b) Release time	c) Bounce time	d) Switching frequency	<ul style="list-style-type: none"> - Note that ambient temperature and applied voltage cause the change of operate time and bounce time. - Note that operate time and release time do not include bounce time. - Give consideration that switching life changes depending on switching frequency. 	<table border="1"> <thead> <tr> <th>Mechanical characteristics</th> <th>Items</th> </tr> </thead> <tbody> <tr> <td rowspan="4"></td> <td>a) Vibration resistance</td> </tr> <tr> <td>b) Shock resistance</td> </tr> <tr> <td>c) Ambient use temperature</td> </tr> <tr> <td>d) Life</td> </tr> </tbody> </table>	Mechanical characteristics	Items		a) Vibration resistance	b) Shock resistance	c) Ambient use temperature	d) Life	<ul style="list-style-type: none"> - Give consideration to performance under vibration and shock in the use location. - Confirm the allowable ambient temperature of the relay. 	<table border="1"> <thead> <tr> <th>Other items</th> <th>Items</th> </tr> </thead> <tbody> <tr> <td rowspan="4"></td> <td>a) Breakdown voltage</td> </tr> <tr> <td>b) Mounting, Connection</td> </tr> <tr> <td>c) Size</td> </tr> <tr> <td>d) Protection construction</td> </tr> </tbody> </table>	Other items	Items		a) Breakdown voltage	b) Mounting, Connection	c) Size	d) Protection construction	<ul style="list-style-type: none"> - Selection can be made for connection method with plug-in type, printed circuit board type, soldering, and screw fastening type. - Selection of protection construction can be made for PCB mounting method such as soldering and cleaning. - For use in an adverse atmosphere, sealed construction type should be selected. - Are there any special conditions?
		Items	Consideration points regarding selection																																																	
		<table border="1"> <thead> <tr> <th>Coil</th> <th>Items</th> </tr> </thead> <tbody> <tr> <td rowspan="6"></td> <td>a) Rating</td> </tr> <tr> <td>b) Pull-in voltage (current)</td> </tr> <tr> <td>c) Drop-out voltage (current)</td> </tr> <tr> <td>d) Maximum continuous impressed voltage (current)</td> </tr> <tr> <td>e) Coil resistance</td> </tr> <tr> <td>f) Temperature rise</td> </tr> </tbody> </table>	Coil	Items		a) Rating	b) Pull-in voltage (current)		c) Drop-out voltage (current)	d) Maximum continuous impressed voltage (current)	e) Coil resistance	f) Temperature rise	<ul style="list-style-type: none"> - Select relay with consideration for power source ripple. - Give sufficient consideration to ambient temperature and for the coil temperature rise, and hot start. - When used in conjunction with semiconductors, careful with the voltage drop. - When starting up, careful with the voltage drop. 																																							
		Coil	Items																																																	
			a) Rating																																																	
			b) Pull-in voltage (current)																																																	
c) Drop-out voltage (current)																																																				
d) Maximum continuous impressed voltage (current)																																																				
e) Coil resistance																																																				
f) Temperature rise																																																				
<table border="1"> <thead> <tr> <th>Contact</th> <th>Items</th> </tr> </thead> <tbody> <tr> <td rowspan="5"></td> <td>a) Contact arrangement</td> </tr> <tr> <td>b) Contact rating</td> </tr> <tr> <td>c) Contact material</td> </tr> <tr> <td>d) Life</td> </tr> <tr> <td>e) Contact resistance</td> </tr> </tbody> </table>	Contact	Items		a) Contact arrangement	b) Contact rating	c) Contact material	d) Life	e) Contact resistance	<ul style="list-style-type: none"> - Note that the relay life is balanced with the life of the device the relay is used in. - Is the contact material matched to the type of load? It is necessary to take care particularly with low level usage. - The rated life may become reduced when used at high temperatures. Life should be verified in the actual use atmosphere. - It is necessary to be tested and reviewed under actual use conditions with actual load and actual application. 																																											
Contact	Items																																																			
	a) Contact arrangement																																																			
	b) Contact rating																																																			
	c) Contact material																																																			
	d) Life																																																			
	e) Contact resistance																																																			
<table border="1"> <thead> <tr> <th>Operate time</th> <th>Items</th> </tr> </thead> <tbody> <tr> <td rowspan="4"></td> <td>a) Operate time</td> </tr> <tr> <td>b) Release time</td> </tr> <tr> <td>c) Bounce time</td> </tr> <tr> <td>d) Switching frequency</td> </tr> </tbody> </table>	Operate time	Items		a) Operate time	b) Release time	c) Bounce time	d) Switching frequency	<ul style="list-style-type: none"> - Note that ambient temperature and applied voltage cause the change of operate time and bounce time. - Note that operate time and release time do not include bounce time. - Give consideration that switching life changes depending on switching frequency. 																																												
Operate time	Items																																																			
	a) Operate time																																																			
	b) Release time																																																			
	c) Bounce time																																																			
	d) Switching frequency																																																			
<table border="1"> <thead> <tr> <th>Mechanical characteristics</th> <th>Items</th> </tr> </thead> <tbody> <tr> <td rowspan="4"></td> <td>a) Vibration resistance</td> </tr> <tr> <td>b) Shock resistance</td> </tr> <tr> <td>c) Ambient use temperature</td> </tr> <tr> <td>d) Life</td> </tr> </tbody> </table>	Mechanical characteristics	Items		a) Vibration resistance	b) Shock resistance	c) Ambient use temperature	d) Life	<ul style="list-style-type: none"> - Give consideration to performance under vibration and shock in the use location. - Confirm the allowable ambient temperature of the relay. 																																												
Mechanical characteristics	Items																																																			
	a) Vibration resistance																																																			
	b) Shock resistance																																																			
	c) Ambient use temperature																																																			
	d) Life																																																			
<table border="1"> <thead> <tr> <th>Other items</th> <th>Items</th> </tr> </thead> <tbody> <tr> <td rowspan="4"></td> <td>a) Breakdown voltage</td> </tr> <tr> <td>b) Mounting, Connection</td> </tr> <tr> <td>c) Size</td> </tr> <tr> <td>d) Protection construction</td> </tr> </tbody> </table>	Other items	Items		a) Breakdown voltage	b) Mounting, Connection	c) Size	d) Protection construction	<ul style="list-style-type: none"> - Selection can be made for connection method with plug-in type, printed circuit board type, soldering, and screw fastening type. - Selection of protection construction can be made for PCB mounting method such as soldering and cleaning. - For use in an adverse atmosphere, sealed construction type should be selected. - Are there any special conditions? 																																												
Other items	Items																																																			
	a) Breakdown voltage																																																			
	b) Mounting, Connection																																																			
	c) Size																																																			
	d) Protection construction																																																			

CAUTIONS FOR USE OF AUTOMOTIVE RELAYS

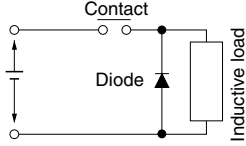
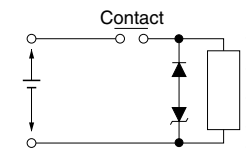
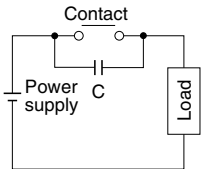
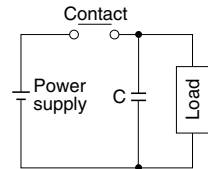
4. Load, Electrical life	1. General	Contact performance is significantly influenced by voltage and current values applied to the contacts (in particular, the voltage and current waveforms at the time of application and release), the type of load, frequency of switching, ambient atmosphere, contact switching speed, and of bounce, which lead the various other damages such as unsuitable operation contact transfer, welding, abnormal wear, increase in contact resistance. Therefore, please confirm that in actual use conditions such as actual circuit and actual load or contact our company.
	2. Inductive load	In the case of switching on and off with inductive loads such as coil, magnet crutch, and solenoid, the arc at switching can cause a severe damage on contacts and greatly shortening of life. In addition, in the case of switching at a high frequency, a blue-green corrosion may be developed. So, please contact our company to use it.
		If the current in the inductive load is relatively small, the arc discharge decomposes organic matter contained in the air and causes black deposits (oxides, carbides) to develop on the contacts. This may result in contact failure. So, please contact our company to use it.
	3. Lamp load	Large inrush current enhancing contact welding will be impressed. Its current value is greatly affected by wiring resistance, switching frequency and ambient temperature. The load current characteristics in actual circuit and actual use condition must be examined and sufficient margin of safety must be provided in selection of a relay.
		It is dangerous to use a lamp load whose nominal current is small even a large nominal current has been tested beforehand. Please contact us when switching at nominal current with a small lamp load (40W or less), because continuous ON failure may occur due to locking caused by contact-transfer phenomenon when switching arc is locally concentrated.
	4. Electric-discharge lamp load	Its load current tends to cause contact welding easily because its inrush current is larger than that of the regular lamp load. The load current characteristics in actual circuit and actual use condition must be examined and sufficient margin of safety must be provided in selection of a relay.
	5. LED lamp load	It is necessary to check the contact reliability because the load current of the LED load is very small. Please contact us before use.
	6. Other lamp load	Please contact us before use of new structured lamp except for halogen, Electric-discharge lamp, and LED.
	7. Motor load	When using of NC contact side of 1C contact for the motor brake, mechanical life might be affected by the brake current. Therefore, verify in actual use conditions with actual circuit.
		Note that larger inductivity of motor may cause contact damage and transfer even the motor load current is same.
	8. Capacitor load	Note that its load current tends to cause contact welding and contact transfer easily because its inrush current is generally large which has a small break current and a short time period to reach an inrush peak value. Also, inrush current value is influenced by wiring resistance. Therefore, the inrush current in actual circuit must be examined and sufficient margin of safety must be provided in selection of a relay.
	9. Resistance load	This load causes relatively-less contact damage since its inrush current is not large. Select a relay based on the rating control capacity, or contact us.
10. Small electric current load	If the switching current is small (2A or less), contact reliability decreases since the contact surface is not cleaned by switching arc. So, please contact us for use.	
11. Load polarity	Electrical life may be affected by load polarity (+/-) connecting to relay contacts. So, please verify them in actual use polarity.	
12. Voltage drop of power supply	Under a circuit which inrush current is applied to such as lamps and capacitors, the moment the contact is closed, voltage drop to the coil, return of relay, or chattering may occur. Note that it may remarkably reduce the electrical life.	



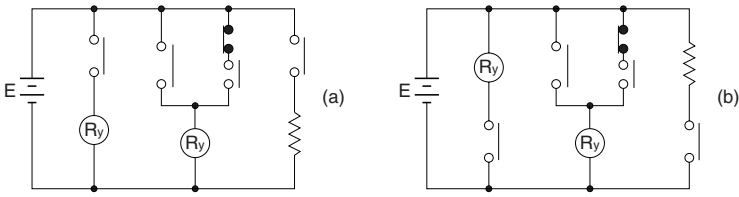
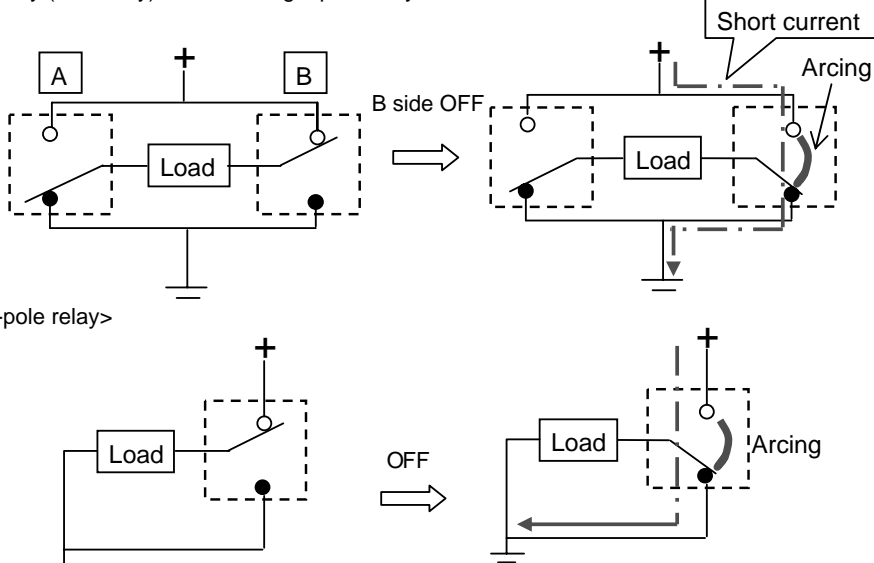
CAUTIONS FOR USE OF AUTOMOTIVE RELAYS

4. Load, Electrical life	13. Load voltage	If the load voltage is high, the arc energy which generated at contact switching increases, which may decrease the electrical life. Therefore, it is necessary to give consideration to the voltage which could occur in actual use condition.
	14. Coil voltage	If coil applied voltage gets higher, the relay operate time gets faster. However, contact bounce gets also larger so that the electrical life may decrease.
	15. Coil short-pulse input	When the short-pulse signal is input to the relay coil, the relay movable part may operate and touch lightly to the contact. Therefore, please avoid short pulse input (100ms or less) since it may cause contact welding due to less contact pressure. Please test adequately, for example when a relay is operated by external manual switch (such as key switch.)
	16. High-frequency of switching	When the switching frequency is high, the electrical life may decrease. Please confirm if there is a high-frequent switching caused by abnormal mode in actual use condition.
	17. Low-frequency of switching	Note that if the contact has not been switched for a long time period, organic film tends to be generated on the contact surface, which may cause contact instability.
	18. Ambient temperature	Verify in the actual use condition since electrical life may be affected by use at high temperatures.
19. Connection of coil surge absorption circuit	<p>If resistor, diode, zener diode are connected parallel to decrease the surge voltage when the relay coil being turned off, the relay release time will get longer and may decrease the electrical life or cause light-welding.</p> 	
20. Sneak or remaining current	Please test a relay in actual vehicle condition since there is a risk of deterioration at relay function or switching performance such as slower release time which is caused by sneak current due to diode, zener diode, capacitor mounted on a vehicle or by remaining current soon after a motor is turned off.	
21. Wire length	<p>If long wires (a few ten meters) are to be used in a relay contact circuit, inrush current may become a problem due to the stray capacitance existing between wires. In such case, add a resistor in series with the contacts.</p> 	

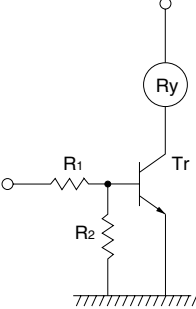
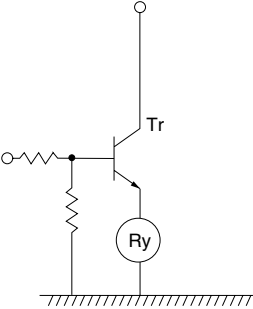
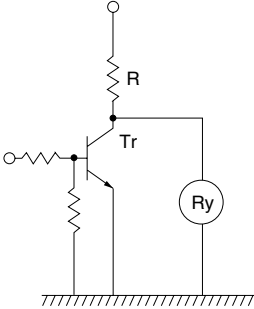
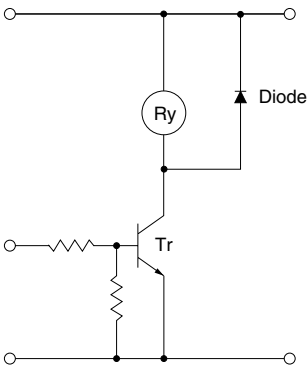
CAUTIONS FOR USE OF AUTOMOTIVE RELAYS

4. Load, electrical life	22. Contact protective circuit	<p>Use of contact protective devices or protection circuits can suppress the counter emf to a low level. However, note that incorrect use will result in an adverse effect. Typical contact protection circuits are given in the table below.</p> <p>Also, note that release time will slow down due to sneak in the circuit and may cause the electrical life to shorten and slight-welding.</p>
Diode circuit		
Circuit		
Features/Others	<p>The diode connected in parallel causes the energy stored in the coil to flow to the coil in the form of current and dissipates it as joule heat at the resistance component of the inductive load. This circuit delays the release time. (2 to 5 times the release time listed in the catalog)</p>	
Devices Selection	<p>Use a diode with a reverse breakdown voltage at least 10 times the circuit voltage and a forward current at least as large as the load current or larger.</p> <p>In electronic circuits where the circuit voltages are not so high, a diode can be used with a reverse breakdown voltage of about 2 to 3 times the power supply voltage.</p>	
Diode and zener diode circuit		
Circuit		
Features/Others	<p>It is effective in the diode circuit when the release time is too long.</p>	
Devices Selection	<p>Use a zener diode with a zener voltage about the same as the power supply voltage</p>	
<p>In the actual circuit, it is necessary to mount the protective device (diode etc.) in the immediate vicinity of the load. If it is mounted too far away, the effectiveness of the protective device may diminish. As a guide, the distance should be within 50cm.</p>		
<p>Avoid using the protection circuits shown in the figures below.</p> <p>Although it is usually more difficult to switch with DC inductive loads compared to resistive loads, use of the proper protection circuit will raise the characteristics to that for resistive loads.</p>		
<p>No good</p> 	<p>No good</p> 	
<p>Although it is extremely effective in arc suppression as the contacts open, the contacts are susceptible to welding since energy is stored in C when the contacts open and discharge current flows from C when the contacts close.</p>	<p>Although it is extremely effective in arc suppression as the contacts open, the contacts are susceptible to welding since charging current flows to C when the contacts close.</p>	

CAUTIONS FOR USE OF AUTOMOTIVE RELAYS

<p>4. Load, electrical life</p>	<p>23. Connection of load</p>	<p>Connect the load to one side of the power supply as shown in Fig. (a). Connect the contacts to the other side. This prevents high voltages from developing between contacts. If contacts are connected to both side of the power supply as shown in Fig. (b), there is a risk of shorting of the power supply when relatively close contacts short.</p> <div style="text-align: center;">  <p>Fig. (a) Good example (b) Bad example</p> </div> <p>Regarding the following circuit constructions with 2-coil relays (twin relays) or single-pole relays, an arc between contacts may be generated when breaking of load current depending on the type of load current, voltage, and load. Please note that or contact us. <2 coil relay (twin relay) or two of single-pole relays></p> <div style="text-align: center;">  <p><Single-pole relay></p> </div>
	<p>24. Short between interelectrodes</p>	<p>When using of multipole relays such as 2-coil relays (twin relays), verify insulation and breakdown voltage between contacts in each pole in order to avoid an accident caused by short.</p>
<p>5. Coil impressed voltage</p>	<p>1. Hot start voltage</p>	<p>After continuous applying of current to coil and contacts, if the current is turned OFF then immediately turned ON again, coil resistance and the pick-up voltage will increase due to the temperature rise in the coil.</p> <p>Temperature rise value of coil is greatly affected by circuit board, connected harness, connected connector, heat dissipation of system/modules, and heat source around relay. Please verify whether it is operating properly or inoperative under actual vehicle and actual use conditions.</p>
	<p>2. Ambient temperature characteristic</p>	<p>Coil resistance and the pick-up voltage will increase when the relay is used in a higher temperature atmosphere. The resistance/temperature coefficient of copper wire is about 0.4% for 1°C, and the coil resistance increases with this ratio. On the other hand, coil resistance and the drop-out voltage will decrease at lower temperature. Coil resistance change decreases with the same ratio at higher temperature, about 0.4% for 1°C.</p> <p>Therefore, please confirm the relay operation in every operating temperature range, with attention to such temperature characteristic.</p> <p>The ambient usage temperature should be set as around the relay inside the box because a heat generated by a relay itself or other instruments causes increase of temperature inside the box.</p>
	<p>3. Applied voltage</p>	<p>Note that a coil impression with a voltage greater than or equal to the maximum continuous impressed voltage may cause temperature rise which could cause coil burning or layer short. Furthermore, do not exceed the usable ambient temperature range listed in the catalog. Please contact us regarding PWM control.</p>

CAUTIONS FOR USE OF AUTOMOTIVE RELAYS

5. Coil impressed voltage	4. Twin-relay coil simultaneous operation	For relays which have multiple coils such as twin relay for forward-reverse operation of motor, if the coils are continuously turned on at the same time, the coil temperature may exceed the tolerance in a short time due to heat generation of each coil. Please contact us before use.
	5. Continuous current	Coil heating due to continuous current applying to coil for extensive time periods will cause deterioration in insulation performance for coil. For such circuit types, please consider the fail-safe circuit design in case of contact failure or breaking of coil.
6. Coil impressed circuit	1. Relay drive by means of a transistor	<p>1. Connection method <u>Collector connection method is the most recommendable when the relay is driven by means of a transistor.</u> To avoid troubles in use, the rated voltage should always be impressed on the relay in the ON time and zero voltage be done in the OFF time.</p> <div style="display: flex; justify-content: space-around; align-items: flex-start;"> <div style="text-align: center;">  <p>(Good) Collector connection This is the most common connection, which operation is usually stable with.</p> </div> <div style="text-align: center;">  <p>(Care) Emitter connection When the circumstances make the use of this connection unavoidable, the voltage may not be completely impressed on the relay and the transistor would not conduct completely.</p> </div> <div style="text-align: center;">  <p>(Care) Parallel connection As the power consumption of the entire circuit increases, the relay voltage should be considered.</p> </div> </div> <p>2. Countermeasures for surge voltage of relay control transistor If the coil current is suddenly interrupted, a sudden high voltage pulse is developed in the coil. If this voltage exceeds the breakdown voltage of the transistor, the transistor will be degraded, and this will lead to damage. It is absolutely necessary to connect a diode in the circuit as a means of preventing damage from the counter emf. In case of DC relay, connection of Diode is effective. As suitable ratings for this diode, the average rectified current should be equivalent to the coil current, and the reverse blocking voltage should be about 3 times the value of the power source voltage. Connection of a diode is an excellent way to prevent voltage surges, but there will be a considerable time delay when the relay is open. If you need to reduce this time delay you can connect between the transistor's Collector and Emitter with a Zener diode that will make the Zener voltage somewhat higher than the supply voltage.</p> <div style="text-align: center;">  </div> <p style="text-align: center;">Take care of Area of Safe Operation (ASO).</p>

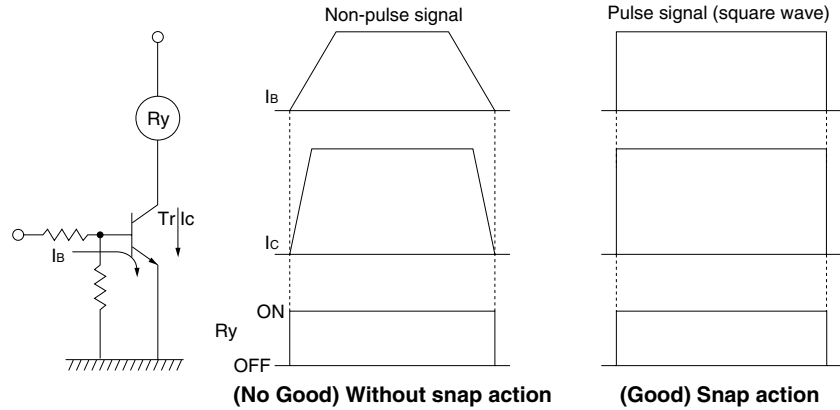
CAUTIONS FOR USE OF AUTOMOTIVE RELAYS

6. Coil impressed circuit

1. Relay drive by means of a transistor

3. Snap action (Characteristic of relay with voltage rise and fall)

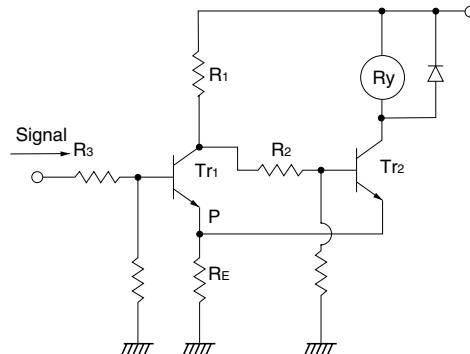
It is necessary for the relay coil not to impress voltage slowly but to impress the rated voltage in a short time and also to drop the voltage to zero in a short time.



4. Schmitt circuit (Snap action circuit) (Wave shaping circuit)

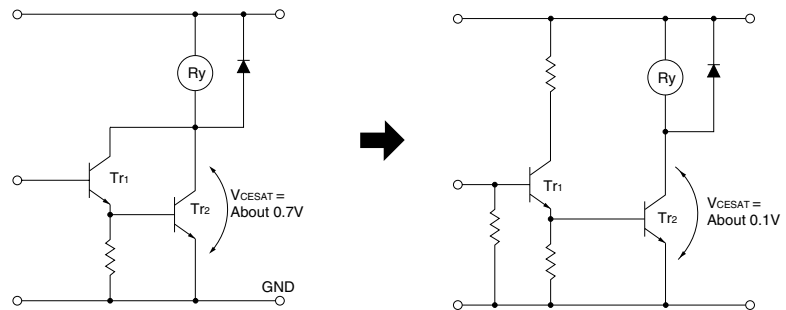
When the input signal does not produce a snap action, ordinarily a Schmitt trigger circuit is used to produce safe snap action.

1. The common emitter resistor R_E must have a sufficiently small value compared with the resistance of the relay coil.
2. Due to the relay coil current, the difference in the voltage between at point P when T_2 is conducting and at point P when T_1 is conducting creates hysteresis in the detection capability of Schmitt circuit, and care must be taken in setting the values.
3. When there is chattering in the input signal because of waveform oscillation, an CR time constant circuit should be inserted in the stage before the Schmitt trigger circuit. (However, the response speed drops.)



5. Avoid Darlington circuit connections. (High amplification)

Care must be taken in this circuit due to increase of V_{CESAT} . It does not cause a failure immediately, but it may lead to troubles by using for a long period or by operating with many units.



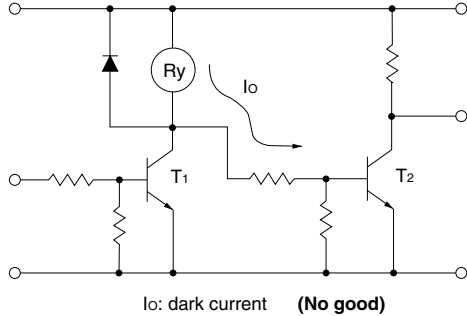
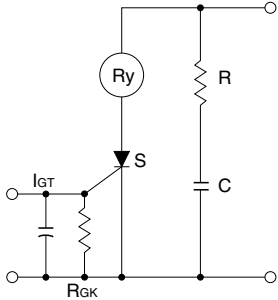
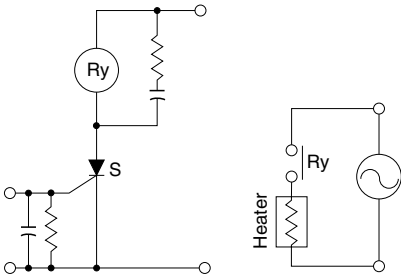
(No good) Darlington connection

Due to excessive consumption of power, heat is generated.
A strong Tr_1 is necessary.

(Good) Emitter connection

Tr_2 conducts completely.
 Tr_1 is sufficient for signal use.

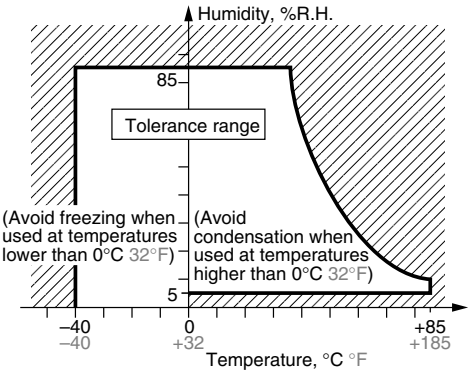
CAUTIONS FOR USE OF AUTOMOTIVE RELAYS

<p>6. Coil impressed circuit</p>	<p>1. Relay drive by means of a transistor</p>	<p>6. Residual Coil Voltage In switching applications where a semiconductor (transistor, UJT, etc.) is connected to the coil, a residual voltage is retained at the relay coil which may cause incomplete restoration and faulty operation. Using of DC coils may cause incomplete restoration or reduction in contact pressure and vibration resistance, because its drop-out voltage is lower than that of AC coil (10% or more of the rated voltage) also because there is a tendency to increase the life by lowering the drop-out voltage. When the signal from the transistor's collector is taken and used to drive another circuit as shown in the figure as follows, a minute dark current flows to the relay even if the transistor is off. This may also cause the problems described above.</p> <p>Connection to the next stage through collector</p>  <p>Io: dark current (No good)</p>
	<p>2. Relay drive by means of SCR</p>	<p>1. Ordinary drive method For SCR drive, it is necessary to take particular care with regard to gate sensitivity and erroneous operation due to noise.</p>  <p>IGT : There is no problem even with more than 3 times the rated current. RGK : 1K ohms must be connected. RC : This is for prevention of switching error due to a sudden rise in the power source or to noise.</p> <p>2. Cautions regarding ON/OFF control circuits (when used for temperature control circuits or similar one) Care must be taken because the electrical life suffers extreme shortening when the relay contacts close simultaneously with an AC single phase power source.</p> <ol style="list-style-type: none"> 1. When the relay is turned ON and OFF using a SCR, the SCR serves as a half wave power source as it is, and there are ample cases where the SCR is easily restored. 2. In this manner the relay operation and restoration timing are easily synchronized with the power source frequency, and the timing of the load switching also is easily synchronized. 3. In case of the load for temperature control whose load is a high current load such as a heater, some relays switch only peak values and some other relays switch only zero phase values as a phenomenon of this type of control. (Depending upon the sensitivity and response speed of the relay) 4. Accordingly, it causes either an extremely long life or an extremely short life resulting in wide variation. So, it is necessary to take care with the initial device quality check. 

CAUTIONS FOR USE OF AUTOMOTIVE RELAYS

7. Contact reliability	1. Load switch	When switching with a very small load after switching with a large load, contact failure by small load switching may occur due to particles generated during switching of the contact with large load. Please note that or contact us.
	2. Installation condition	Note that if it is connected or installed with a high heat-capacity such as bus bar, connector, harness, and PCB, heat removal phenomenon at low temperature will make relay terminals and contacts cool and condensate a small amount of organic gas inside the relay, which may cause a contact failure. So, please contact us before use.
8. Contact resistance	1. Transient state	Contact resistance consists of dynamic and static contact resistance. Contact resistance on the catalogue and the specifications refers to static contact resistance. Dynamic contact resistance usually shows a large value due to just after the contact operation. Please contact us if a stable contact resistance is necessary soon after a relay is turned on.
	2. Contact voltage, current	Note that if the contact-applied voltage is small (at 6V or less) and contact-applied current is small (at 1A or less), contact resistance may become a larger value due to a small amount of film on a contact surface.
9. Operate noise	1. Coil applied voltage	Mechanical relays produce an operational noise at operate and release time. Note that if the coil-applied voltage is higher at operate time, the noise becomes larger.
	2. Operate noise at installation	It is necessary to test relays in actual installation condition because operate noise may become larger in the installation condition than with a relay by itself due to resonance and sympathetic vibrations of installation PCB and system module.
10. Mechanical noise	1. Abnormal noise	Note that if a large current is applied to the contact, electromagnetic repulsion makes contact vibrate and produces an abnormal noise. Please contact us if quietness is required.
		Note that if an external vibration and shock are applied to a relay while the relay turns off, a movable part of the relay may vibrate and produce a noise. So, please test in the actual use condition if quietness is required.
11. Electrical noise	1. Serge voltage	When the relay turns off, serge voltage is generated from the coil. This serge voltage can be reduced if a resistor is connected in parallel to the coil. Likewise, it can be reduced more if a diode instead of resistor is connected in parallel. However, please contact us or note that if a resistor or a diode is connected in parallel electrical life may be affected due to slowing down of release time.

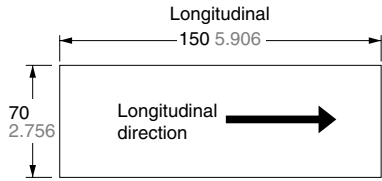
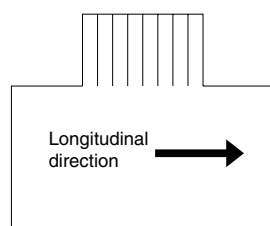
CAUTIONS FOR USE OF AUTOMOTIVE RELAYS

<p>12. Usage ambient condition</p>	<p>1. Temperature, humidity, air pressure</p>	<p>During usage, storage, or transportation, avoid locations subject to direct sunlight and maintain normal temperature, humidity, and pressure conditions.</p> <p>The allowable specifications for environments suitable for usage, storage, and transportation are given below.</p> <p>1. Temperature: The allowable temperature range differs with each relay, so refer to the relay's individual specifications. In addition, in the case of transporting and storing relays in a tube package, the temperature may differ from the allowable range of the relay. So, please contact us for individual specifications.</p> <p>2. Humidity: 5 to 85 % R.H.</p> <p>3. Pressure: 86 to 106 kPa</p> <p>Furthermore, the humidity range varies with the temperature. So, use relays within the range indicated in the graph below.</p>  <p>(The allowable temperature range differs for each relay.)</p> <ul style="list-style-type: none"> -Be sure the usage ambient temperature does not exceed the value listed in the catalog. -When switching with a load which easily generates arc in high-humidity environment, the NO_x generated by the arc and the water absorbed from outside the relay combine to produce nitric acid. This corrodes the internal metal parts and adversely affects operation. Avoid using them at an ambient humidity of 85%RH or higher (at 20°C). If it is unavoidable to use them in such environment, please consult us. -Plastic sealed type relays are especially not suited for use in environments which require airtight relays. Although there is no problem if they are used at sea level, avoid using them in atmospheric pressures beyond 96–10kPa. Also avoid using them in an atmosphere containing flammable or explosive gases.
<p>2. Dust</p>		<p>It is recommendable to use relays in a normal temperature and humidity with less dust, sulfur gases (SO₂, H₂S), and organic gases.</p> <p>Sealed types (plastic sealed type) should be considered for applications in an adverse environment.</p>
<p>3. Silicon</p>		<p>Silicon-based substances (silicon rubber, silicon oil, silicon-based coating material, silicon caulking compound, etc.) emit volatile silicon gas. Note that when silicon is used near relay, switching the contacts in the presence of its gas causes silicon to adhere to the contacts and may result in contact failure.</p> <p>Therefore, please use a substitute that is not silicon-based. Plastic also has air permeability so please avoid using them in a silicone atmosphere.</p>
<p>4. Magnetism</p>		<p>If relays are proximately installed each other or installed near highly-magnetized parts such as motor and speaker, the relay may change its operational characteristics or cause malfunction. So, please verify in actual installation and operational condition.</p>
<p>5. Vibration</p>		<p>Vibration of the area where relay is installed may be enhanced more than expected depending on installation condition of PCB. So, please verify in actual use condition. NO contact is the recommended contact for the use at the vibration-frequent area because the vibration resistance performance of NC contact is generally inferior to that of NO contact.</p>
<p>6. Shock</p>		<p>It is ideal for mounting of relay that the movement of the contacts and movable parts is perpendicular to the direction of vibration or shock. Especially note that the vibration and shock resistance of NC contacts while the coil is not excited is greatly affected by the mounting direction of the relay.</p>
<p>7. Dew condensation</p>		<p>Condensation forms when vapors when there is a sudden change in temperature under high temperature, high humidity conditions. Note that condensation may cause deterioration of the insulation, breaking of coil, and rusting.</p> <p>Note that if a relay is connected or installed with a high heat-capacity such as bus bar, connector, harness, and PCB, heat removal phenomenon will accelerate cooling of the relay inside and promote condensation. So, please verify in actual installation condition.</p>

CAUTIONS FOR USE OF AUTOMOTIVE RELAYS

12. Usage ambient condition	8. Water resistance	Select the sealed-type for exposure to water. In the case of water exposure in severe conditions or immersion, please verify water resistance of the relay or contact us. Even for sealed-type relays, its terminals are not waterproof, so please avoid a failure such as terminal corrosion.
	9. Freezing	Note that moisture adhered on relay in a due condensation or a high humidity condition freezes when the temperature is lower than 0°C. This may cause problems such as sticking of movable parts or operational time lags, or poor contact conduction. Therefore, please test them in actual use environment.
		Note that if a relay is connected or installed with a high heat-capacity such as bus bar, connector, harness, and PCB, heat removal phenomenon will accelerate cooling of the relay inside and promote freezing. So, please verify in actual installation condition.
10. Low temperature, low humidity	The plastic becomes brittle if the relay is exposed to a low temperature, low humidity environment for long periods of time.	
13. Installation	1. Connector installation	Please consider the vibration at installation area to avoid loosely-contact. Also, note that even a microscopic vibration may cause contact failure at the contact area of relay terminal and connector.
		Decrease of fitting performance of connector may cause abnormal heat at connector contact area depending on use temperature and applying heat. Sufficient margin of safety must be provided in selection of a connector.
		Please select the proper material of connector and surface treatment to avoid corrosion at the contact area of relay terminal and connector and increase of resistance at connecting area which may be caused depending on ambient environment.
14. PC board design	1. PC board design consideration	<p>1. Cautions regarding Pattern Layout for Relays</p> <p>Since relays affect electronic circuits by generating noise, the following points should be noted.</p> <ul style="list-style-type: none"> • Keep relays away from semiconductor devices. • Design the pattern traces with the shortest length. • Place the surge absorber (diode, etc.) near the relay coil. • Avoid routing pattern traces susceptible to noise (such as for audio signals) underneath the relay coil section. • Avoid through-holes in places which cannot be seen from the top (e.g. at the base of the relay). Solder flowing up through such a hole may cause damage such as a sealing failure. • Even for the same circuit, it is necessary to consider the pattern design in order to minimize the influence of the on/off operations of the relay coil and lamp on other electronic circuits, as shown in the figure below.
		<div style="display: flex; justify-content: space-around;"> <div style="text-align: center;"> <p>(No good)</p> <p>-Relay currents and electronic circuit currents flow together through A and B.</p> </div> <div style="text-align: center;"> <p>(Good)</p> <p>-Relay coil currents consist only of A1 and B1. -Electronic circuit currents consist only of A2 and B2. A simple design can change safety of the operation.</p> </div> </div>

CAUTIONS FOR USE OF AUTOMOTIVE RELAYS

<p>14. PC board design</p>	<p>2. Hole and Land diameter</p>	<p>The Hole and Land diameter are made with the hole slightly larger than the lead wire so that the component may be inserted easily. Also, when soldering, the solder will build up in an eyelet condition, increasing the mounting strength. The standard dimensions for the Hole diameter and Land are shown in the table below.</p> <p>Standard dimensions for the Hole and Land diameter Unit: mm/ inch</p> <table border="1" data-bbox="459 371 1109 584"> <thead> <tr> <th>Standard Hole</th> <th>Tolerance</th> <th>Land diameter</th> </tr> </thead> <tbody> <tr> <td>0.8/ .031</td> <td rowspan="4">±0.1/ ±.039</td> <td rowspan="2">2.0 to 3.0/ .079 to .118</td> </tr> <tr> <td>1.0/ .039</td> </tr> <tr> <td>1.2/ .047</td> <td rowspan="2">3.5 to 4.5/ .138 to .177</td> </tr> <tr> <td>1.6/ .063</td> </tr> </tbody> </table> <p>Remarks</p> <ul style="list-style-type: none"> • The Hole diameter is made 0.2 to 0.5mm/ .008 to .020inch larger than the lead diameter. However, if the jet method (wave type, jet type) of soldering is used, solder may pass through to the component side. Therefore, it is more suitable to make the Hole diameter equal to the lead diameter +0.2mm. • The Land diameter should be 2 to 3 times the Hole diameter. • Do not put more than 1 lead in one hole. 	Standard Hole	Tolerance	Land diameter	0.8/ .031	±0.1/ ±.039	2.0 to 3.0/ .079 to .118	1.0/ .039	1.2/ .047	3.5 to 4.5/ .138 to .177	1.6/ .063
Standard Hole	Tolerance	Land diameter										
0.8/ .031	±0.1/ ±.039	2.0 to 3.0/ .079 to .118										
1.0/ .039												
1.2/ .047		3.5 to 4.5/ .138 to .177										
1.6/ .063												
	<p>3. Expansion and shrinkage of copper-clad laminates</p>	<p>Because copper-clad laminates have a longitudinal and lateral direction, the manner of punching fabrication and layout must be observed with care. Expansion and shrinkage in the longitudinal direction due to heat is 1/15 to 1/2 of that in the lateral, and accordingly, after the punching fabrication, the distortion in the longitudinal direction will be 1/15 to 1/2 of that in the lateral direction. The mechanical strength in the longitudinal direction is 10 to 15% greater than that in the lateral direction. Because of this difference between the longitudinal and lateral directions, when products having long configurations are to be fabricated, the lengthwise direction of the configuration should be made in the longitudinal direction, and PC boards having a connector section should be made with the connector along the longitudinal side.(The figure below)</p> <p>Example: As shown in the drawing below, the 150mm (5.906 inch) direction is taken in the longitudinal direction.</p>  <p>Also, as shown in the drawing below, when the pattern has a connector section, the direction is taken as shown by the arrow in the longitudinal direction.</p> 										

CAUTIONS FOR USE OF AUTOMOTIVE RELAYS

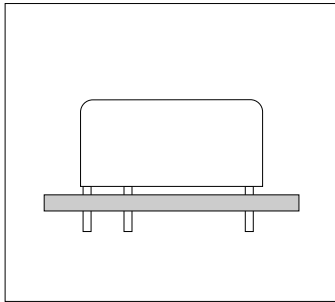
15. PCB mounting

1. Through-hole type

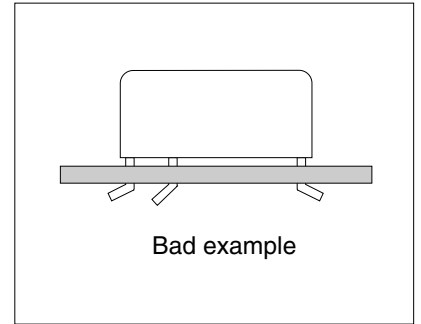
In keeping with making devices compact, it is becoming more common to solder the relay to a PC board along with the semiconductors instead of using the previous plug-in type in which relays were plugged into sockets. With this style, loss of function may occur because of seepage into the relay of flux, which is applied to the PC board. Therefore, the following precautions are provided for soldering a relay onto a PC board. Please refer to them during installation in order to avoid problems.

The type of protective structure will determine suitability for automatic soldering or automatic cleaning. Therefore, please review the parts on construction and characteristics.

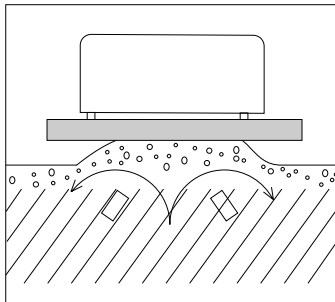
1. Mounting of Relay



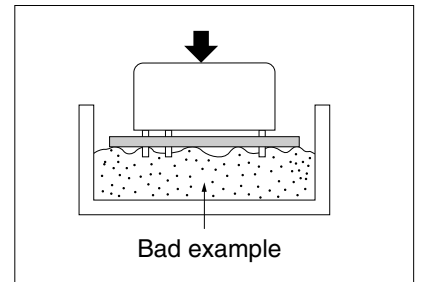
- Avoid bending the terminals to make the relay self-clinching. Relay performance cannot be guaranteed if the terminals are bent.
- Correctly make the PC board according to the given PC board pattern illustration.
- Tube packaging for automatic mounting is available depending on the type of relay. (Be sure that the relays don't rattle.) Interference may occur internally if the gripping force of the tab of the surface mounting machine is too great. This could impair relay performance.



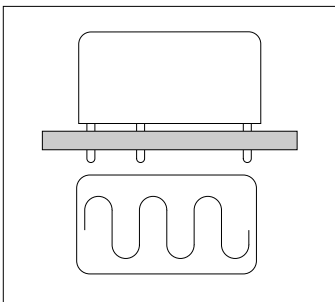
2. Flux Application



- Adjust the position of the PC board so that flux does not overflow onto the top of it. This must be observed especially for dust-cover type relays.
- Use rosin-based non-corrosive flux.
- If the PC board is pressed down into a flux-soaked sponge as shown on the right, the flux can easily penetrate a dust-cover type relay. Never use this method. Note that if the PC board is pressed down hard enough, flux may even penetrate a flux-resistant type relay.



3. Preheating



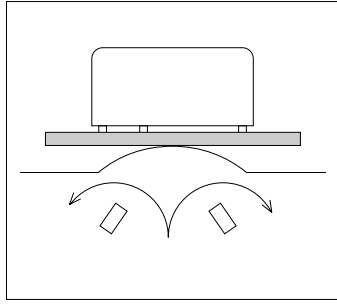
- Be sure to preheat before using automatic soldering. For dust-cover type relays and flux-resistant type relays, preheating acts to prevent the penetration of flux into the relay when soldering. Solderability also improves.
- Preheat according to the following conditions.

- Note that long exposure to high temperatures (e.g. due to a malfunctioning unit) may affect relay characteristics.

Temperature	120°C/ 248°F or less (PCB solder surface)
Time	Within approx. 2 minute

CAUTIONS FOR USE OF AUTOMOTIVE RELAYS

4. Soldering



Automatic Soldering

- Flow solder is the optimum method for soldering.
- Adjust the level of solder so that it does not overflow onto the top of the PC board.
- Unless otherwise specified, solder under the following conditions depending on the type of relay.

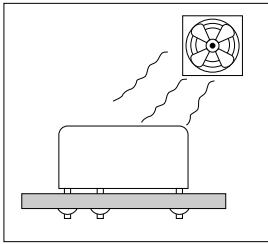
Solder Temperature	Approx. 260°C±5°C/ 500°F±41°F
Soldering Time	Within approx. 6 seconds

Hand Soldering

- Please take caution with multi-layer boards. Relay performance may degrade due to the high thermal capacity of these boards
- Keep the tip of the soldering iron clean.

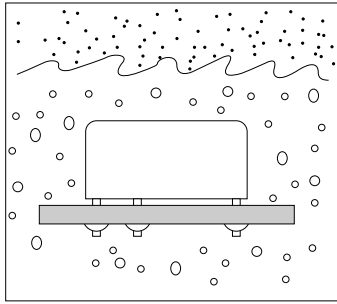
Soldering Iron	30W to 60W
Iron Tip Temperature	Approx. 350°C
Soldering Time	Within approx. 3 seconds

5. Cooling



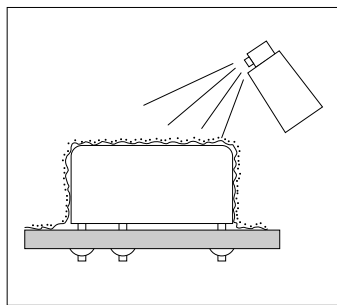
- Immediate air cooling is recommended to prevent deterioration of the relay and surrounding parts due to soldering heat.
- Although environmentally the sealed type relay (plastic sealed type, etc.) can be cleaned, avoid immersing the relay into cold liquid (such as cleaning solvent and coating material) immediately after soldering. Doing so may deteriorate the sealing performance.

6. Cleaning



- Do not clean dust-cover type relays and flux-resistant type relays by immersion. Even if only the bottom surface of the PC board is cleaned (e.g. with a brush), careless cleaning may cause cleaning solvent to penetrate the relay.
- Plastic sealed type relays can be cleaned by immersion. Use an alcohol-based cleaning solvent. Use of other cleaning solvents (e.g. Trichlene, chloroethene, thinner, benzyl alcohol, gasoline) may damage the relay case.
- Cleaning with the boiling method is recommended. Avoid ultrasonic cleaning on relays. Use of ultrasonic cleaning may cause breaks in the coil or slight sticking of the contacts due to the ultrasonic energy.
- Do not cut the terminals. When terminals are cut, breaking of coil wire and slight sticking of the contacts may occur due to vibration of the cutter.

7. Coating



- If the PC board is to be coated to prevent the insulation of the PC board from deteriorating due to corrosive gases and high temperatures, note the following.
- Do not coat dust-cover type relays and flux-resistant type relays, since the coating material may penetrate the relay and cause contact failure. Or, mount the relay after coating.
- Depending on the type, some coating materials may have an adverse effect on relays. Furthermore, some solvents (e.g. xylene, toluene, MEK, I.P.A.) may damage the case or chemically dissolve the epoxy and break the seal. Select coating materials carefully.
- If the relay and all components (e.g. ICs) are to be coated, be sure to carefully check the flexibility of the coating material. The solder may peel off from thermal stress.

Coating material type	Suitability for Relays	Features
Epoxy-base	Good	Good electrical insulation. Although slightly difficult to apply, does not affect relay contacts.
Urethane-base	Care	Good electrical insulation, easy to apply. Solvent may damage case. Check before use.
Silicon-base	No Good	Silicon gas becomes the cause of contact failure. Do not use the silicon-base type.

CAUTIONS FOR USE OF AUTOMOTIVE RELAYS

15. PCB mounting	2. SMD type
------------------	-------------

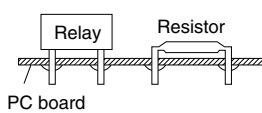
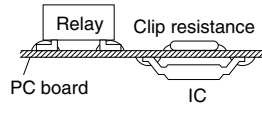
To meet the market demand for downsizing to smaller, lighter, and thinner products, PC boards also need to proceed from insertion mounting to surface mounting technology.
 To meet this need, we offer a line of surface mount relays. The following describes some cautions required for surface mount relay installation to prevent malfunction and incorrect operation.
 *Please contact us for or reflow soldering of through-hole terminal type.

[1] What is a Surface Mount Relay?

1. From IMT to SMT

Conventional insertion mount technology (IMT) with some 30 years of history is now being replaced with surface mount technology (SMT).
 Solid-state components such as resistors, ICs, and diodes can withstand high heat stresses from reflow soldering because they use no mechanical parts. In contrast, the conventional electro-mechanical relays consisting of solenoid coils, springs, and armatures are very sensitive to thermal stress from reflow soldering.
 We applied the experience gained from our advanced relay technologies to produce high-performance electromagnetic relays compatible with surface mount technologies such as IRS and VPS.

Insertion Mount Technology & Surface Mount Technology

Insertion Mounting Technology (IMT)	Components' terminals are inserted into terminal holes of PC board and are soldered to copper pads on the other side of the board. (flow-soldering)	
Surface Mounting Technology (SMT)	Components are placed on copper pads pre-coated with paste solder and the board assembly is heated to solder the components on the pads. (reflow soldering)	

2. Features and Effects

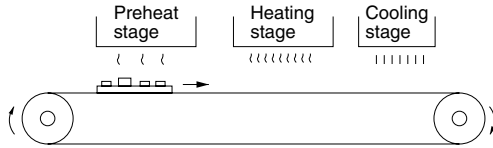
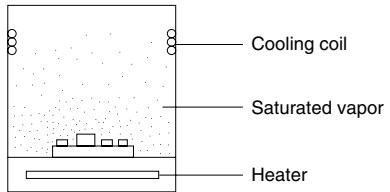
Features	Effects
Allows high density mounting Components can be installed on both sides of a board Ceramic PC boards can be used	System downsizing
Compatible with automatic placement by robots Drilling for lead holes is not required Compact system designs are possible due to high density mounting	Overall cost reduction
High heat resistance Anti-gas measures	High reliability

The surface mount relay is realized with the following advanced technologies:

- Heat-resistance encapsulation technique
- Gas analysis
- Reliability assessment
- Precision molding technique for heat-resistant materials

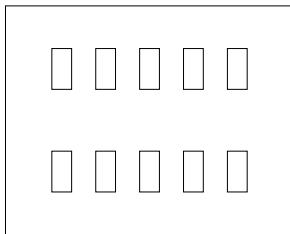
CAUTIONS FOR USE OF AUTOMOTIVE RELAYS

3. Examples of SMT Applications

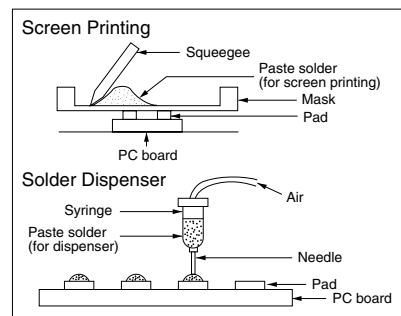
<p>1. Infrared Reflow Soldering (IRS)</p>	<p>IRS is the most popular reflow soldering technology now available for surface mounting. It uses a sheath heater or infrared lamp as its heat source. PC board assemblies are continuously soldered as they are transferred through a tunnel furnace comprised of a preheating, heating, and cooling-stages.</p> 
<p>2. Vapor Phase Soldering (VPS)</p>	<p>With VPS technology, PCB assemblies are carried through a special inactive solvent, such as Fluorinert FC-70, that has been heated to a vapor state. As the saturated vapor condenses on the PC board surface, the resulting evaporation heat provides the energy for reflow soldering.</p> 
<p>3. Belt conveyer reflow oven</p>	<p>As PCB assemblies are transferred on a thin, heat-resistant belt conveyer, they are soldered by the heat from hotplates placed beneath the conveyer belt.</p>
<p>4. Double Wave Soldering (DWS)</p>	<p>After components are glued to the PC board surface, the board assembly is transferred through a molten solder fountain (with the component side facing down). Then, the components are soldered to the board.</p>
<p>5. Other Technologies</p>	<p>Other reflow soldering technologies include those of utilizing lasers, hot air, and pulse heaters.</p>

[2] Cautions for installation

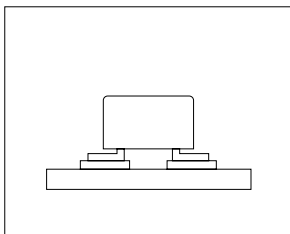
1. Paste Soldering



- Mounting pads on PC boards must be designed to absorb placement errors while taking account of solderability and insulation. Refer to the suggested mounting pad layout in the application data for the required relay product.
- Paste solder may be applied on the board with screen printing or dispenser techniques. For either method, the paste solder must be coated to appropriate thickness and shapes to achieve good solder wetting and adequate insulation.



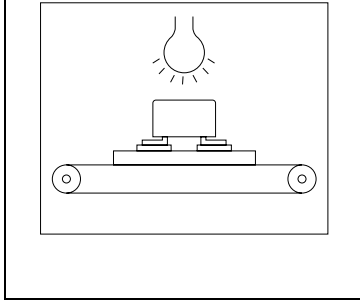
2. Relay mounting



- For small, lightweight components such as chip components, a self-alignment effect can be expected if small placement errors exist. However, this effect is not as expected for electro-mechanical components such as relays, and they require precise positioning on their soldering pads.
- If SMT relays are subjected to excessive mechanical stress from the placement machine's pickup head and damaged inside, their performance cannot be guaranteed.
- Our SMT relays are supplied in tube packaging compatible with automatic placement processes. We also offer tape packaging at customer request..

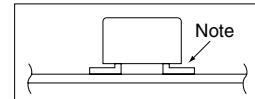
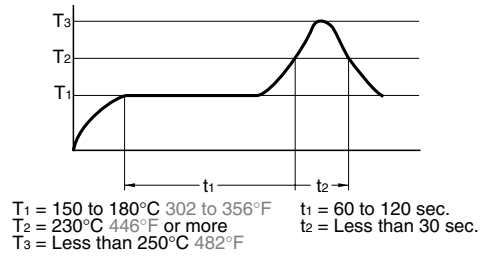
CAUTIONS FOR USE OF AUTOMOTIVE RELAYS

3. Reflow



Reflow soldering under inadequate soldering conditions may result in unreliable relay performance or even physical damage to the relay (even if the relay is of surface mount type with high heat resistance).

1. IRS profile



Note: When a soldering technique other than above is to be used (hot air, hotplate, laser, or pulse heater technique), carefully investigate the suitability of the technique.

The soldering temperature profile indicates the pad temperature. In some cases, the ambient temperature may be greatly increased. Examine it under the specific mounting condition.

2. Manual soldering

Soldering iron tip temperature: $350^\circ\text{C } (662^\circ\text{F})$

Soldering iron wattage: 30 to 60 W

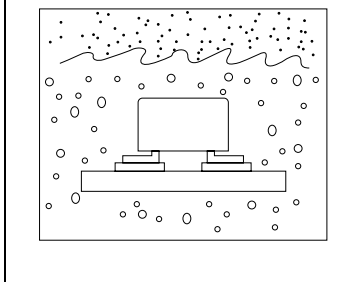
Soldering time: Less than 3 sec.

3. Others

For other solder methods except for the above (such as hot air heating, hot plate heating, laser heating, pulse heating, etc.), please check for mounting and soldering condition before use.

- It is recommended that the soldered pad be immediately cooled to prevent thermal damage to the relay and its associated components.
- While surface mount relays are solvent washable, do not immerse the relay in cold cleaning solvent immediately after soldering.

4. Cooling / Cleaning



- While sealed-type (plastic-sealed) relays are solvent washable, do not immerse the relay in cold cleaning solvent immediately after soldering.
- Use alcohol or an equivalent solvent for cleaning.
- Boiled cleaning is approved for surface mount relays. Ultrasonic cleaning may cause coil damage or light contact sticking.

CAUTIONS FOR USE OF AUTOMOTIVE RELAYS

16. Soldering	1. Solder	Please use the flux-resistant type or sealed type in the case of automatic soldering.
	2. Cleaning	Please use the sealed type for cleaning. Also, use the alcohol type for cleaning liquid and avoid ultrasonic cleaning. When cleaning a printed circuit board after soldering, we recommend using alcohol-type cleaning liquid. Please avoid ultrasonic cleaning. The ultrasonic energy may cause breaking of coil and sticking of contacts.
	3. Terminal clinch	Avoid bending terminals for the relay of print circuit board since it may cause malfunction.
17. Storage, transportation	1. Transportation	Relay s functional damage may occur if strong vibration, shock or heavy weight is applied to a relay during transportation of a device in which a relay is installed. Therefore, please pack them in a way, using shock-absorbing material, so that the allowable range for vibration and shock is not exceeded.
	2. Storage	If the relay is stored for extended periods of time (including transportation period) at high temperatures or high humidity levels or in atmospheres with organic gas or sulfide gas, sulfide film or oxide film may be formed on surface of the contacts, which may cause contact instability, contact failure and functional failure. Please check the atmosphere in which the units are to be stored and transported.
18. Product handling	1. Tube packing	Some types of relays are supplied with tube packaging. If you remove some relays from the tube, be sure to slide a stop plug into one end of a tube to hold the remaining relays firmly and avoid rattling of relay inside the tube. Note that rattling may cause a damage on appearance and/or performance.
		<p>Do not use the relays if they were dropped or fallen down in a tube packing condition because there is a risk of characteristic failure.</p>

CAUTIONS FOR USE OF AUTOMOTIVE RELAYS

19. Reliability

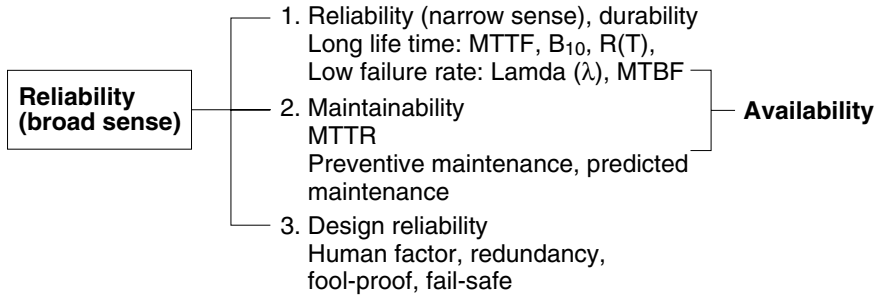
[1] What is Reliability?

1. Reliability in a Narrow Sense of the Term

In the industrial world, reliability is an index of how long a particular product serves without failure during use period.

2. Reliability in a Broad Sense of the Term

Every product has a finite service lifetime. This means that no product can continue normal service infinitely. When a product has broken down, the user may throw it away or repair it. The reliability of repairable products is recognized as "reliability in a broad sense of the term." For repairable products, their serviceability or maintainability is another problem. In addition, reliability of product design is becoming a serious concern for the manufacturing industry. In short, reliability has three senses: i.e. reliability of the product itself, serviceability of the product, and reliability of product design.



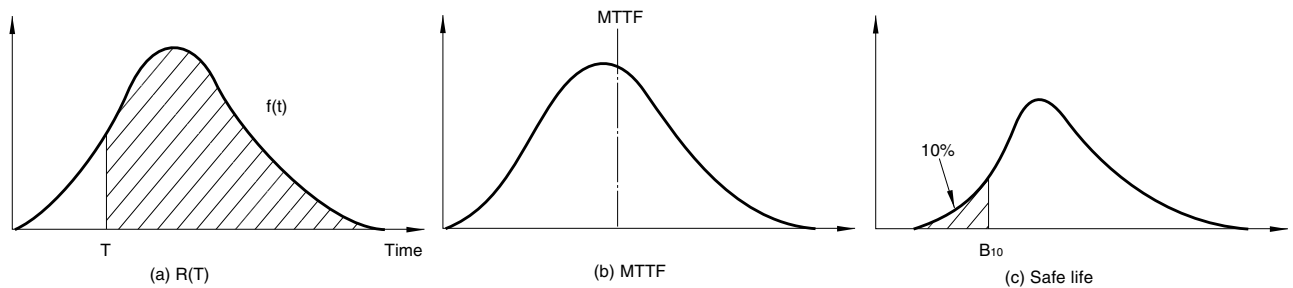
3. Intrinsic Reliability and Reliability of Use

Reliability is "built" into products. This is referred to as intrinsic reliability which consists mainly of reliability in the narrow sense. Product reliability at the user's site is called "reliability of use," which consists mainly of reliability in the broad sense. In the relay industry, reliability of use has a significance in aspects of servicing.

[2] Reliability Measures

The following list contains some of the most popular reliability measures:

Reliability measure	Sample representation
Degree of reliability R(T)	99.9%
MTBF	100 hours
MTTF	100 hours
Failure rate lambda	20 fit, 1%/hour
Safe life B ₁₀	50 hours



CAUTIONS FOR USE OF AUTOMOTIVE RELAYS

1. Degree of Reliability

Degree of reliability represents percentage ratio of reliability. For example, if none of 10 light bulbs has failed for 100 hours, the degree of reliability defined in, 100 hours of time is $10/10 = 100\%$. If only three bulbs remained alive, the degree of reliability is $3/10 = 30\%$. The JIS Z8115 standard defines the degree of reliability as follows: The probability at which a system, equipment, or part provides the specified functions over the intended duration under the specified conditions.

2. MTBF

MTBF is an acronym of Mean Time Between Failures. It indicates the mean time period in which a system, equipment, or part operates normally between two incidences of repair. MTBF only applies to repairable products.

MTBF tells how long a product can be used without the need for repair.

Sometimes MTBF is used to represent the service lifetime before failure.

3. MTTF

MTTF is an acronym of Mean Time To Failure. It indicates the mean time period until a product becomes faulty. MTTF normally applies to unrepairable products such as parts and materials.

The relay is one of such objective of MTTF.

4. Failure Rate

Failure rate includes mean failure rate and momentary failure rate. Mean failure rate is defined as follows:

Mean failure rate = Total failure count/total operating hours

In general, failure rate refers to momentary failure rate. This represents the probability at which a system, equipment, or part, which has continued normal operation to a certain point of time, becomes faulty in the subsequent specified time period.

Failure rate is often represented in the unit of percent/hours. For parts with low failure rates, "failure unit (Fit) = 10^{-9} /hour" is often used instead of failure rate. Percent/count is normally used for relays.

5. Safe Life

Safe life is an inverse of degree of reliability. It is given as value B which makes the following equation true:

$$1 - R(B) = t\%$$

In general, " $B[1 - R(B)] = 10\%$ " is more often used. In some cases this represents a more practical value of reliability than MTTF.

CAUTIONS FOR USE OF AUTOMOTIVE RELAYS

[3] Failure

1. What is Failure?

Failure is defined as a state of system, equipment, or component in which part of all of its functions are impaired or lost.

2. Bathtub Curve

Product's failure rate throughout its lifetime is depicted as a bathtub curve, as shown below. Failure rate is high at the beginning and end of its service lifetime.

(I) Initial failure period

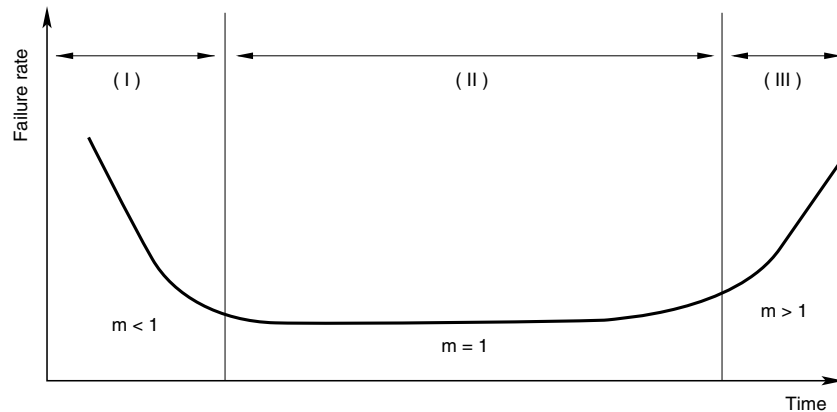
The high failure rate in the initial failure period is derived from latent design errors, process errors, and many other causes. This process is called debugging, performing aging or screening in order to find out initial failures.

(II) Accidental failure period

The initial failure period is followed by a long period with low, stable failure rate. In this period, called accidental failure period, failures occurs at random along the time axis. While zero accidental failure rate is desirable, this is actually not practical in the real world.

(III) Wear-out failure period

In the final stage of the product's service lifetime comes the wear-out failure period, in which the life of the product expires due to wear of fatigue. Preventive maintenance is effective for this type of failure. The timing of a relay's wear-out failure can be predicted with a certain accuracy from the past record of uses. The use of a relay is intended only in the accidental failure period, and this period virtually represents the service lifetime of the relay.



CAUTIONS FOR USE OF AUTOMOTIVE RELAYS

3. Weibull Analysis

Weibull analysis is often used for classifying a product's failure patterns and to determine its lifetime.

Weibull distribution is expressed by the following equation:

$$f(x) = \frac{m}{\alpha} (x-\gamma)^{m-1} e^{-\frac{(x-\gamma)^m}{\alpha}}$$

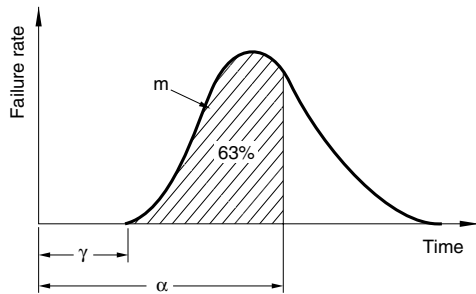
where

m : Figure parameter

α : Measurement parameter

γ : Position parameter

Weibull distribution can be adopted to the actual failure rate distribution if the three variables above are estimated.



The Weibull probability chart is a simpler alternative of complex calculation formulas. The chart provides the following advantages:

- (1) The Weibull distribution has the closest proximity to the actual failure rate distribution.
- (2) The Weibull probability chart is easy to use.
- (3) Different types of failures can be identified on the chart.

The following describes the correlation with the bathtub curve. The value of the parameter "m" represents the type of the failure.

- (1) When $m < 1$: Initial failures
- (2) When $m = 1$: Accidental failures
- (3) When $m > 1$: Wear-out failures

CAUTIONS FOR USE OF AUTOMOTIVE RELAYS

CHECK SHEET

Category	Check box	Check item	Refer to the following page and item on Page / Category - Section
Safety	<input type="checkbox"/>	Does the vehicle system have a fail-safe in case of a relay failure?	p21/1-1, p21/2-4
Load/ Electrical life	<input type="checkbox"/>	Has it been confirmed by testing under actual load, actual circuit, and actual condition?	p22/4-1
	<input type="checkbox"/>	Have load type, load current characteristic, and current value been checked?	p22/4-2 to 4-9
	<input type="checkbox"/>	Isn't the applied contact current too small? (Small current is likely to decrease the contact reliability.)	p22/4-10
	<input type="checkbox"/>	Has connecting load polarity been checked?	p22/4-11
	<input type="checkbox"/>	Is the load likely to cause instant voltage drop?	p22/4-12
	<input type="checkbox"/>	Isn't the applied contact voltage too high? (High voltage decreases electrical life.)	p23/4-13
	<input type="checkbox"/>	Isn't applied coil voltage too high? (High voltage affects electrical life.)	p23/4-14
	<input type="checkbox"/>	Isn't short pulse applied to coil?	p23/4-15
	<input type="checkbox"/>	Isn't the switching frequency too high even including at abnormality?	p23/4-16
	<input type="checkbox"/>	Doesn't switching continue for a long time?	p23/4-17
	<input type="checkbox"/>	Does it switch under high temperature?	p23/4-18
	<input type="checkbox"/>	Have precautions been checked for using of coil surge absorption circuit?	p23/4-19
	<input type="checkbox"/>	Have you checked there is no sneak current or voltage to the relay coil?	p23/4-20
	<input type="checkbox"/>	Is there stray capacitance between lead wires?	p23/4-21
	<input type="checkbox"/>	Have precautions been checked for using of contact protective circuit?	p24/4-22
	<input type="checkbox"/>	Is there a risk of dead short in the power supply?	p25/4-23
	<input type="checkbox"/>	Is there a risk of short circuit in the power supply at load rejection?	p25/4-23
<input type="checkbox"/>	Is there a risk of insulation and breakdown voltage between contacts in each pole when high voltage is applied to a twin relay?	p25/4-24	
Coil operation voltage	<input type="checkbox"/>	Has hot start been considered?	p25/5-1
	<input type="checkbox"/>	Is the ambient temperature within the range of use? Also, is the ambient temperature characteristics considered?	p25/5-2
	<input type="checkbox"/>	Is the applied voltage below the maximum continuous applied voltage?	p25/5-3
	<input type="checkbox"/>	Is there a risk of using PWM control? (PWM control requires careful attention.)	p25/5-3
	<input type="checkbox"/>	Doesn't coil of twin relay operate at the same time?	p26/5-4
	<input type="checkbox"/>	Hasn't the current continuously applied to coil over a long period?	p26/5-5
Coil operation circuit	<input type="checkbox"/>	In case of relay operation by electric circuit, is the circuit designed in consideration of mal-function?	p26/6-1, p28/6-2
	<input type="checkbox"/>	Doesn't the surge voltage of relay cause mal-function or destruction of transistor circuit?	p26/6-1, p28/6-2
	<input type="checkbox"/>	When relay is applied to an electric circuit, has voltage drop caused by other electric components on the circuit been considered?	p26/6-1, p28/6-2

CAUTIONS FOR USE OF AUTOMOTIVE RELAYS

Category	Check box	Check item	Refer to the following page and item on Page / Category - Section
Contact reliability	<input type="checkbox"/>	Have precautions been checked in the case of switching with both high and low loads by the same contact?	p29/7-1
	<input type="checkbox"/>	Doesn't heat dissipation occur under low temperature?	p29/7-2
Contact resistance	<input type="checkbox"/>	Has transient state of contact resistance been considered?	p29/8-1
	<input type="checkbox"/>	Are contact voltage and current 6V 1A or higher?	p29/8-2
Operating sound	<input type="checkbox"/>	Are there any problems regarding operating sound of relay?	p29/9-1, p29/9-2
Mechanical noise	<input type="checkbox"/>	Are there any problems regarding abnormal weak noise of relay?	p29/10-1
Use environmental condition	<input type="checkbox"/>	Is temperature, humidity, atmosphere pressure within the range of use?	p30/12-1
	<input type="checkbox"/>	Have precautions been checked in the case of switching under high humidity?	p30/12-1
	<input type="checkbox"/>	Is the ambient environment free from particles, dusts, sulfidizing gas, organic gas?	p30/12-2
	<input type="checkbox"/>	Is the ambient environment free from silicon?	p30/12-3
	<input type="checkbox"/>	Is the ambient environment free from high-field magnetic instruments such as speaker?	p30/12-4
	<input type="checkbox"/>	Are the ambient vibration and shock below the relay's vibration and impact characteristics? Also, is there no resonance after the relay is	p30/12-5, p30/12-6
	<input type="checkbox"/>	Isn't there a risk of freezing and dewing of relay?	p29/7-2, p30/12-7, p31/12-9
	<input type="checkbox"/>	Isn't there a risk of water or oil adhesion?	p31/12-8
Mounting	<input type="checkbox"/>	Doesn't vibration or shock cause poor connection between a relay and a connector?	p31/13-1
PCB mounting	<input type="checkbox"/>	Have precautions been checked for operating of flux applying and automatic soldering?	p33/15-1, p35/15-2
	<input type="checkbox"/>	Have precautions been checked for cleaning operation of print board?	p33/15-1, p35/15-2
	<input type="checkbox"/>	Isn't glass shot performed for flux cleaning? (Particle of the glass may get inside the relay and cause operation failure.)	p33/15-1, p35/15-2
	<input type="checkbox"/>	Does significant warping of print board occur, which applies a force on a relay terminal and changes the relay characteristics?	p33/15-1, p35/15-2
	<input type="checkbox"/>	Isn't the unused terminal cut? (Applied force on terminal can change the characteristics.)	p33/15-1, p35/15-2
Soldering	<input type="checkbox"/>	Any strong forces such as terminal clinch are not applied at attaching.	p38/16-3
Storage, transportation	<input type="checkbox"/>	Aren't load, shock, or vibration which is out of the allowable range applied during transportation?	p38/17-1
	<input type="checkbox"/>	Are temperature and humidity within the allowable range?	p38/17-2
	<input type="checkbox"/>	Is the ambient atmosphere free from organic gas and sulfidizing gas?	p38/17-2
Product handling	<input type="checkbox"/>	Aren't dropped or fallen tube packages used?	p38/18-1

Please contact

Panasonic Corporation

Automation Controls Business Unit

■ Head Office: 1048, Kadoma, Kadoma-shi, Osaka 571-8686, Japan

■ Telephone: +81-6-6908-1050 ■ Facsimile: +81-6-6908-5781

industrial.panasonic.com/ac/e

Panasonic[®]

All Rights Reserved © 2012 COPYRIGHT Panasonic Corporation