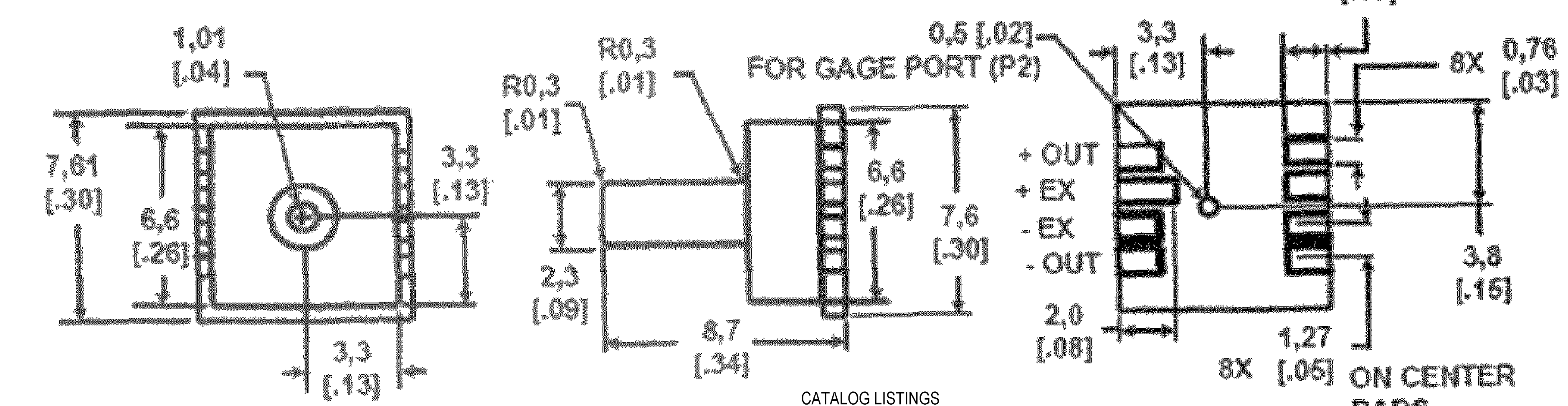


PORTED "P" SMT



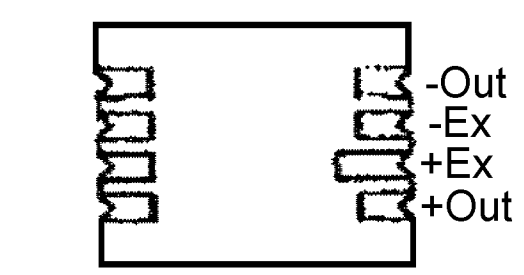
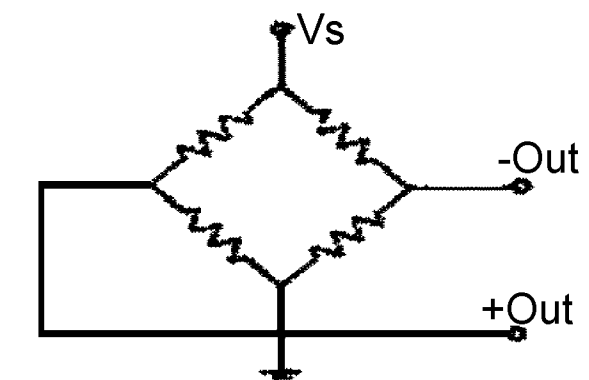
Performance Specifications					
Characteristics	Pressure Range (psi)	MIN	TYP	MAX	UNITS
Zero Pressure Offset	ALL	-30	-10	20	mV
Sensitivity	05		7.50		mV/psi
	15		4.30		
	30		2.90		
	100		1.30		
Temperature Coefficient of Span	ALL		0.25		%FSS
Temperature Coefficient of Offset	ALL		0.5		%FSS
Linearity, Hysteresis, Repeatability	ALL		0.2		%FSS
Long Term Stability	ALL		0.1		%FSS
Response Time (10% to 90%)	ALL		100		us
Input Resistance	ALL		5		kohms
Output impedance	ALL		5		kohms
Overpressure	5		20		psi
	15		30		
	30		60		
	100		150		

Specifications	
Characteristics	Maximum Ratings
Supply current	1.5mA
Operating temperature	-40C to +125C
Storage temperature	-55C to +125C
Lead temperature (Soldering 2s to 4s)	250C

CATALOG LISTINGS

- SCC05GSMT
- SCC05GSMT P
- SCC15ASMT
- SCC15ASMT P
- SCC15GSMT
- SCC15GSMT P
- SCC30ASMT
- SCC30ASMT P
- SCC100ASMT
- SCC100GSMT
- SCC100GSMT P
- SCCP05GSMT
- SCCP05GSMTLP
- SCCP05GSMT P
- SCCP05GSMTLP
- SCCP15ASMTLP
- SCCP15ASMT P
- SCCP15GSMT P
- SCCP30ASMT P
- SCCP30GSMT P
- SCCP100ASMT
- SCCP100GSMT
- SCCP100GSMT P

EQUIVALENT CIRCUITS



- NOTES:
- 1) REFERENCE CONDITIONS: SUPPLY CURRENT, IS = 1.0 mA, TEMP = 0degC TO 50degC
 - 2) IF MAXIMUM PRESSURE IS EXCEEDED, EVEN MOMENTARILY, THE PACKAGE MAY LEAK OR BURST, OR THE PRESSURE SENSING DIE MAY FRACTURE.
 - 3) SENSITIVITY IS THE RATIO OF THE OUTPUT SIGNAL VOLTAGE CHANGE TO INPUT PRESSURE CHANGE. THE SENSITIVITY IS CHARACTERIZED BY DESIGN AND PERIODIC PRODUCTION TESTING. THIS PARAMETER IS NOT 100% TESTED IN PRODUCTION.
 - 4) TEMPERATURE COEFFICIENT IS DEFINED AS BEST FIT STRAIGHT LINE FIT FOR OPERATION BETWEEN 0degC TO 70degC.
 - 5) TEMPERATURE COEFFICIENT IS NOT 100% TESTED. IT IS DEFINED BY PROCESS DESIGN.
 - 6) SLOPE OF BEST FIT STRAIGHT LINE FIT FOR OPERATION BETWEEN 0degC TO 70degC.
 - 7) LONG TERM STABILITY OVER A ONE YEAR PERIOD.
 - 8) RESPONSE TIME FOR 0 psi TO FULL SCALE SPAN PRESSURE STEP CHANGE.

DESIGN UNITS: MM(INCH)	DRAWN: SK	19OCT06	Honeywell
TOLERANCES UNLESS NOTED:	CHECK: CMH	19OCT06	
NO PLACE .X ± 1.000	THIS DRAWING COVERS A PROPRIETARY ITEM AND IS THE PROPERTY OF HONEYWELL. THIS DRAWING IS NOT TO BE COPIED OR USED WITHOUT THE PERMISSION OF HONEYWELL.		TITLE: PRESSURE SENSOR
ONE PLACE .X ± 0.4	INTERPRET PER ASME Y14.5M-1994 OTHER HONEYWELL ENGINEERING STANDARDS MAY APPLY.		SIZE: D
TWO PLACE .XX ± 0.15	THIRD ANGLE PROJECTION		TYPE: I
THREE PLACE .XXX ± 0.005	RASTER		DRAWING NAME: SCC SMT SERIES CHART 1
FOUR PLACE .XXXX ± 0.0050			SCALE: -
ANGLES X ± 3			SHEET: 1 OF 1