

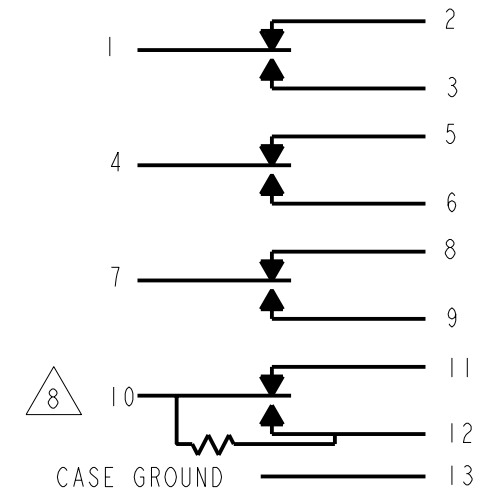
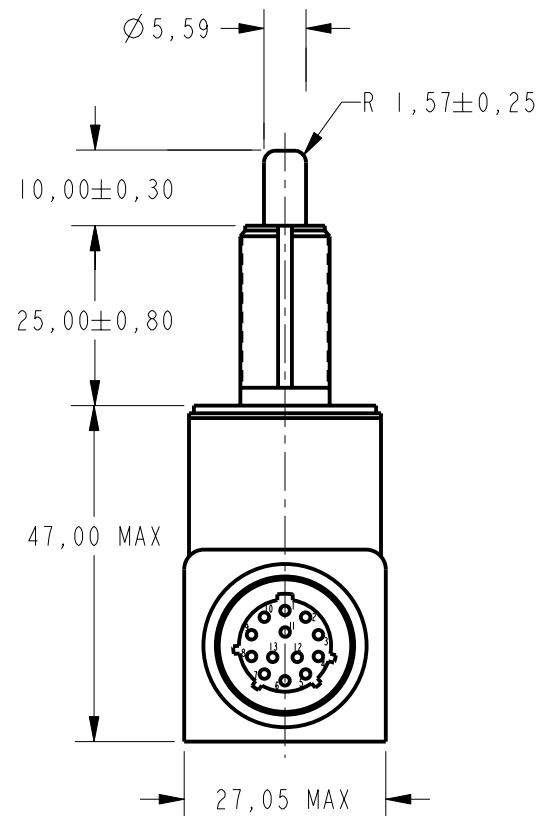
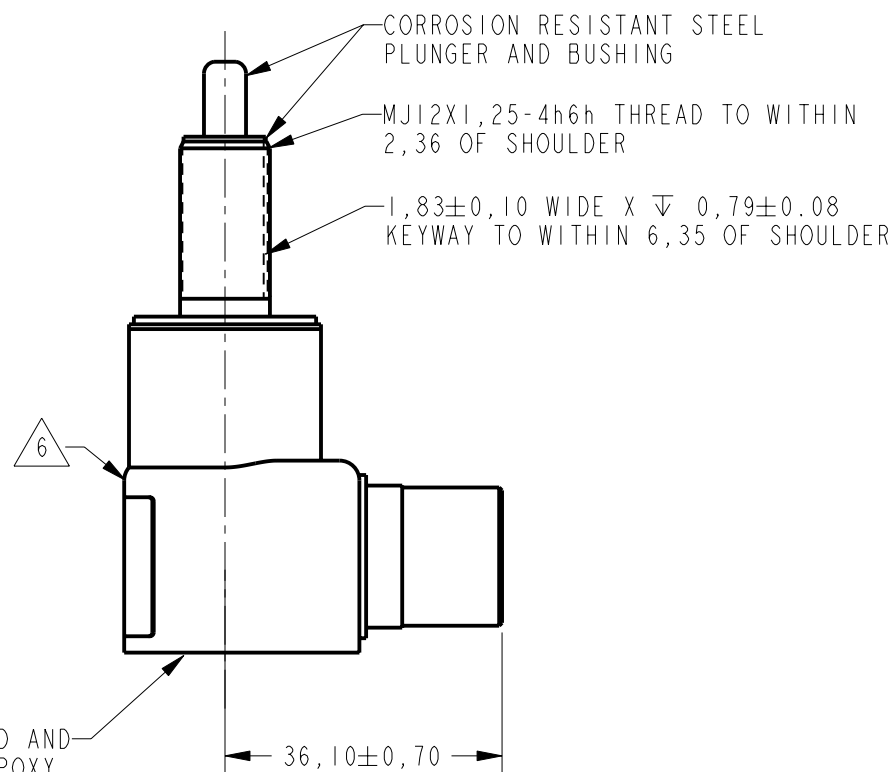
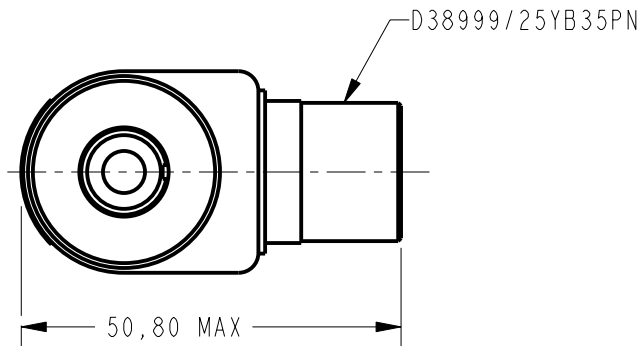
MICROSWITCH
a Honeywell Division

FED. MFG. CODE 91929

SWITCH - ENCLOSED

CATALOG LISTING

1204HE2-R



CIRCUIT DIAGRAM

CATALOG LISTING

1204HE2-R

PAGE 1 OF 1

REPLACES

RELEASE NO. PR-20807

CHECK

25 JUN 02

SAV

CHECK

25 JUN 02

SAV

CHECK

25 JUN 02

SAV

CHECK

25 JUN 02

SAV

REVISIONS

A	205916	DLT	25 JUN 02
---	--------	-----	-----------

PTC/CAD 2D
DRAWN

THIS DRAWING COVERS A PROPRIETARY ITEM AND IS THE PROPERTY OF MICRO SWITCH, A DIVISION OF HONEYWELL. THIS DRAWING IS NOT TO BE COPIED OR USED WITHOUT THE APPROVAL OF MICRO SWITCH

CHARACTERISTICS	
OPERATING FORCE	2.7-5.4 Kg
FULL OVERTRAVEL FORCE	13.6 Kg MAX
RELEASE FORCE	1.36 Kg MIN
PRETRAVEL	0,51-0,75
DIFFERENTIAL TRAVEL	0,50 MAX
OVERTRAVEL	3,17 MIN

ELECTRICAL DATA	
CONTACT ARRANGEMENT 4X SPDT	
28 VDC	
LOAD	SEA LEVEL 50,000 FT
RES	1.0 1.0
IND	0.5 0.5

THIRD ANGLE PROJECTION			
SCALE FULL			
DO NOT SCALE PRINT			
TOLERANCES			
APPLY TO DESIGN UNITS. CONVERSIONS ARE ONLY FOR REFERENCE. UNLESS NOTED, TOLERANCES ARE:			
DIM.	TOL.	DIM.	TOL.
mm	mm/in	in	mm/in
NO PLACES	X 1/.04	X.X	0.8/.03
ONE PLACE	X.X 0.4/.016	X.XX	0.38/.015
TWO PLACES	X.XX 0.15/.006	X.XXX	0.13/.005
THREE PLACES			
ANGLES			
SI METRIC		US CUSTOMARY	
DESIGN UNITS <input checked="" type="checkbox"/>		<input type="checkbox"/>	
WEIGHT .10 Kg MAX			

NOTES

- CORROSION RESISTANT STEEL ENCLOSURE
- SWITCH SEALED PER MIL-S-8805 SYMBOL 5
- COINCIDENCE OF OPERATING AND RELEASING POINTS: .25 mm OF PLUNGER TRAVEL
- CIRCUIT DIAGRAM AND CATALOG LISTING ARE SHOWN ON NAMEPLATE
- OPERATION IN TEMPERATURE RANGE OF -55°C TO +125°C
- COLOR SHALL BE LUSTERLESS BLACK, COLOR NO. 37031, PER MIL-C-46168
- BASIC SWITCHES HAVE GOLD BIFURCATED CONTACTS
- 10K OHM RESISTOR PER MIL-R-55182 ACROSS 10 AND 12 (DIELECTRIC WILL NOT BE CHECKED BETWEEN TERMINALS 10 AND 12)

ANSI Y14.5M-1982 APPLIES